

Superior

264-38-2LM-02  
264-38-2LM-03  
264-42-2LM-13  
264-42-2LM-15  
264-42-4LM-16  
264-42-4LM-17  
264-42-4LM-18  
264-42-4LM-24

EDIZIONE – EDITION 10/85

**n. 331**

## ISTRUZIONI PER LA CONSULTAZIONE DEL CATALOGO

- Tutti i particolari delle teste sono rappresentati in più tavole come indicato nell'indice.
- I particolari sono esplosi nelle stesse posizioni in cui si trovano nelle teste.
- Le linee tratteggiate indicano i collegamenti tra i pezzi che per ragioni di disegno o di spazio non possono essere illustrati nello stesso asse.
- I simboli racchiusi da un riquadro (es. xxxxxx-x-xx ) si riferiscono sempre a gruppi o sottogruppi.
- Nella rappresentazione grafica i componenti dei gruppi sono racchiusi da un riquadro; i componenti dei sottogruppi sono anch'essi riquadrati all'interno del gruppo.

## TAVOLE CON PARTICOLARI COMUNI A TUTTE LE TESTE

- I simboli dei particolari o dei gruppi si leggono direttamente in corrispondenza dei pezzi.

## TAVOLE CON PARTICOLARI NON COMUNI A TUTTE LE TESTE

- I simboli dei particolari o dei gruppi si leggono direttamente in corrispondenza dei pezzi.
- I particolari specifici per le singole teste sono indicati nel disegno con un numero progressivo evidenziato da un cerchio per i pezzi singoli o piccoli gruppi e da un quadrato per i gruppi principali. Per ricercare il simbolo del pezzo e del gruppo occorre consultare la relativa tabella riportata nella stessa tavola.

## TAVOLE DOPPIE

- Per facilitare la consultazione alcune tavole sono state duplicate e sono indicate con lo stesso numero affiancato da una lettera (es. 3/A - 3/B).

## ORGANI DI CUCITURA - GUIDE - ACCESSORI VARI

- Gli organi di cucitura - le guide - gli accessori vari sono preceduti da tavole riepilogative con l'indicazione dei particolari in dotazione e a richiesta.

## AGHI

- Gli aghi sono contraddistinti dal sistema e dalla finezza. Il sistema dell'ago e la finezza sono marcati oltre che sulla busta, anche sull'ago stesso. Nelle ordinazioni precisare, oltre al simbolo, il sistema e la finezza degli aghi desiderati. In caso di dubbio allegare un ago campione o una busta vuota.

## INSTRUCTION TO CONSULT THE CATALOGUE

- All the spare parts are illustrated in several tables as indicated in the index.
- The parts are illustrated as they belong together in the machine
- The dashed illustration shows where the adjacent parts belong
- The symbols included in a square (e.g. xxxxxx-x-xx ) are always referred to assemblies or sub-assemblies.
- In the graphical representation the components belonging to sub-assemblies are also included in a square within their assembly.

## TABLES WITH PARTS COMMON TO ALL HEADS

- The symbols of the parts or of the assemblies can be read in direct reference to the parts.

## TABLE WITH PARTS NOT COMMON TO ALL HEADS

- The symbols of the parts or of the assemblies can be read in direct reference to the parts.
- In the drawing the specific parts for the single heads are indicated by a progressive figure which is made evident by a circle for the single parts or small assemblies and by a square for the main assemblies. The symbol of the part or of the assembly can be located by consulting the relevant part-list included in the same table.

## DOUBLE TABLES

- For easier reference, some tables have been duplicated. They are indicated by the same figure plus an additional letter, (e.g. 3/A and 3/B)

## SEWING PARTS - FOLDERS - VARIOUS ACCESSORIES

- Sewing parts, folders and various accessories are preceded by summary tables indicating standard parts supplied and parts supplied on request.

## NEEDLE

- The needles are marked with system and size. The system and size of the needle are shown on the packet as well as on the needle itself. When ordering please state symbol, system and size. If you have doubts, enclose a sample needle or an empty packet with your order.

## INSTRUCTION POUR LA CONSULTATION DU CATALOGUE

- Toutes les pièces des têtes sont représentées en plusieurs tables comme nous avons indiqué dans l'index.
- Les pièces figurent sur l'illustration comme elles vont ensemble
- Les figures en tirets montrent le lieu de montage des pièces figurant à côté.
- Les symboles compris entre panneaux (ex. xxxxxx-x-xx ) se réfèrent toujours à des groupes ou sous-groupes.
- Dans la représentation graphique les composants des sous-groupes sont eux-mêmes encadrés à l'intérieur du groupe.

## TABLES AVEC COMPOSANTS COMMUNS A TOUTES LES TETES

- Les symboles des composants et des groupes se lisent directement en correspondance des pièces.

## TABLES AVEC COMPOSANTS NON COMMUNS A TOUTES LES TETES

- Les symboles des composants et des groupes se lisent directement en correspondance des pièces.
- Les composants spécifiques de chaque tête sont indiqués sur les dessins avec un numéro progressif encerclé pour les simples composants ou petits groupes et numéro encadré pour les groupes principaux. Pour chercher le symbole de la pièce ou du groupe il faut consulter la relative fiche reportée sur la même table.

## TABLE DOUBLE

- Pour faciliter la consultation certaines tables ont été doublées et sont indiquées avec le même numéro suivi par une lettre (ex. 3/A - 3/B)

## ORGANES DE COUTURES - GUIDES - ACCESSOIRES DIVERS

- Les organes de coutures - les guides - les divers accessoires sont précédés de tables résumés avec l'indication des composants en dotation et sur demande.

## AIGUILLES

- Les aiguilles se différencient par le système et la grosseur. Le système de l'aiguille et sa grosseur, sont indiqués non seulement sur le sachet mais également sur l'aiguille. Dans l'ordre précisé, en plus du symbole, le système et la grosseur des aiguilles désirés. En cas de doute, joindre une aiguille comme modèle ou un sachet vide.

## SOMMARIO SUMMARY SOMMAIRE

TAV. N. TAB. N.	DESCRIZIONE	DESCRIPTION	DESCRIPTION
1A-1B	PASSAFILI E TENSIONI ANTERIORI	THREAD GUIDE AND FRONT TENSIONS	PASSE FILS ET TENSIONS AVANT
2	TENSIONE CROCHET	LOOPER TENSION	TENSION CROCHET
3	COPERCHI E PIANO DI LAVORO	COVERS AND WORKING PLATE	CARTERS ET PLAN DE TRAVAIL
4	ALBERO SUPERIORE E BARRA AGO	UPPER SHAFT AND NEEDLE BAR	ARBRE SUP. ET BARRE AIGUILLE
5	SEMIALBERO INFERIORE DESTRO	RIGHT LOWER HALF-SHAFT	SEMI ARBRE INF. DROITE
6	PORTA CROCHET	LOOPER HOLDER	PORTE CROCHET
7	COMANDO CROCHET	LOOPER CONTROL	COMMANDE CROCHET
8	SEMIALBERO INFERIORE SINISTRO	LEFT LOWER HALF-SHAFT	SEMI ARBRE INF. GAUCHE
9	GRUPPO PREMISTOFFA	PRESSER ASSEMBLY	GROUPE PRESSEUR
10	SUPPORTO RULLO SUPERIORE	UPPER ROLLER SUPPORT	SUPPORT ROULEAU SUPERIEUR
11	GRUPPO RULLO MOTORE SUPERIORE	UPPER MOTOR ROLLER ASS.	GROUPE ROULEAU MOTEUR SUP.
12	CARTER SUPPORTO DESTRO	RIGHT SUPPORT COVER	CARTER SUPPORT DROITE
13	LUBRIFICAZIONE E POMPA OLIO	LUBRICATION AND OIL PUMP	LUBRIFICATION ET POMPE A HUILE
14	BACINELLA OLIO	OIL SUMP	RESERVOIR
15	PIAZZAMENTO NORMALE	NORMAL SETTING	INSTALLATION NORMALE
16	ACCESSORI IN DOTAZIONE	AUXILIARY EQUIPMENT	ACCESSOIRES IN DOTATION
17-18	PORTA BOBINE	BOBBIN CARRIER	PORTE BOBINE
19-20	RIEPILOGO ORGANI DI CUCITURA	SEWING PARTS SUMM. UP	RECAPITOLATION ORGANES DE COUTURE
21	PLACCHE AGO	NEEDLE PLATES	PLAQUE A AIGUILLE
22	CROCHETS - GRIFFE - AGHI	LOOPERS - FEED DOGS - NEEDLES	CROCHETS - GRIFFES - AIGUILLES
23-24	PIEDINI	PRESSERFEET	PIED-PRESSEURS
25-32	PORTA ROTOLI - FRENAGGI - GUIDE	ROLLS-CARRIER - BRAKES - GUIDES	PORTE ROULEAUX - FREINAGES - GUIDES

## INDICE NUMERICO

## INDEX

Part. N.	Tav. N.	Part. N.	Tav. N.	Part. N.	Tav. N.	Part. N.	Tav. N.	Part. N.	Tav. N.	Part. N.	Tav. N.	Part. N.	Tav. N.
100458-0-10	4	301523-0-10	11	304195-0-10	6	305942-4-10	6	307635-0-00	11	308032-0-00	4	308128-0-01	3
100915-2-11	12	301527-0-10	11	304246-0-10	4	306091-0-10	4	307636-0-00	11	308035-0-00	5	308129-0-01	3
200324-0-10	2	301530-0-10	11	304436-0-10	12	306092-4-00	4	307637-2-10	11	308036-2-00	4	308137-0-00	1A-1B
200710-0-10	1A-1B	301531-0-10	11	304445-0-11	5	306093-2-01	4	307638-0-00	12	308037-0-01	4	308138-0-13	13
200714-0-10	1A-1B	301580-0-10	7-8	304490-2-01	4	306460-0-10	4	307640-0-00	10	308038-0-10	4	308148-0-00	9
201143-0-10	7-8	301586-0-10	8	304554-0-10	4	307435-2-01	4	307641-2-01	12	308039-0-01	4-6	308149-0-01	5
201358-0-10	12	302052-2-21	6	304612-0-11	8	307436-0-00	4	307644-2-10	12	308040-2-00	13	308159-2-01	5
202027-0-10	13	302059-0-10	9	304616-0-11	8	307442-2-01	4	307649-0-00	12	308041-0-00	4	308161-0-00	5
202214-0-11	1B	302060-0-11	9	304640-0-10	8	307443-0-00	4	307653-3-10	12	308042-0-00	4	308162-0-00	5
202229-0-10	1A-1B	302136-0-12	1A-1B	304684-0-10	8	307444-0-00	8	307656-0-11	10	308043-0-00	13	308166-0-00	5
202397-0-10	7	302168-2-10	2	304763-0-10	9	307445-4-00	4	307658-3-10	11	308044-0-00	7	308174-3-01	5
202398-0-10	13	302204-0-10	2	304767-2-11	9	307446-4-00	4	307659-3-00	11	308045-0-01	7	308178-4-01	5
202474-0-10	6	302232-0-10	9	305194-0-00	6-11	307584-4-00	10	307660-4-00	11	308046-2-01	7	308179-0-00	14
202486-0-10	8	302234-0-20	9	305666-0-00	13	307585-0-01	11	307667-0-00	11	308047-0-00	7	308180-2-01	13
202556-0-01	1A-1B	302238-0-11	9	305749-2-00	6	307586-0-00	11	307668-3-10	11	308052-4-00	9	308184-0-00	13
202558-0-01	1A-1B	302272-0-10	5	305755-0-11	6	307588-2-00	11	307671-2-00	11	308054-0-01	9	308185-0-00	13
206545-0-00	14	302277-0-10	6	305758-0-02	6	307590-0-00	3	307673-2-00	11	308055-2-00	9	308190-0-00	8
206555-0-02	13	302289-0-10	6	305759-2-00	6	307591-0-00	11	307675-2-00	12	308057-0-10	9	308191-4-01	8
206557-0-00	13	302292-0-10	4	305764-0-00	8	307592-4-00	11	307676-0-00	8	308058-0-00	9	308195-0-00	8
206559-0-01	14	302334-0-10	5	305823-3-02	6	307596-4-00	10	307682-3-10	10	308059-0-01	9	308203-0-01	1A
206560-0-10	14	302338-0-10	4	305838-4-01	6	307605-0-00	10	307687-3-00	12	308060-4-10	9	308206-0-00	14
206564-0-00	14	302344-0-10	9	305841-4-01	7	307606-4-00	11	307688-0-00	12	308061-0-01	9	308207-0-00	13
206580-2-00	2	302352-0-10	4	305843-0-00	7	307607-0-00	11	307698-4-00	12	308062-2-01	9	308208-0-10	14
206669-2-02	13	302353-0-10	3	305891-2-00	6	307608-4-00	11	307699-0-10	11	308086-0-11	5	308209-0-00	14
206754-0-00	11	302354-0-20	3	305892-2-00	6	307609-4-00	11	307701-0-00	10	308090-0-01	5	308210-0-00	14
207973-0-01	3	302355-0-10	3	305893-2-00	6	307612-2-10	10	307705-0-00	10	308094-0-00	9	308211-0-00	13
300006-0-12	3	302356-0-10	5	305894-2-00	6	307615-0-10	10	307715-4-01	11	308098-0-00	9	308213-0-00	14
300209-0-10	7-8	302590-4-10	4	305898-2-00	6	307616-2-00	10	307736-0-00	12	308101-2-01	3	308214-0-00	13
300218-0-10	1A-1B	302591-2-11	4	305899-2-00	6	307617-0-10	10	307762-0-01	10	308102-0-00	3	308215-0-00	13
300310-0-10	2	302708-0-01	6	305911-0-00	6	307618-0-10	10	307850-2-00	11	308103-4-10	3	308217-0-01	1B
300351-0-11	7	303031-0-10	6	305912-0-00	6	307624-0-00	11	307990-0-00	13	308104-0-00	13	308218-0-00	4
300352-0-10	7	303045-0-10	1A-1B	305913-0-00	6	307625-0-00	11	307991-0-00	13	308105-4-04	13	308226-0-02	14
300377-0-10	12-6	303458-0-12	8	305914-0-00	6	307627-2-00	11	308002-0-00	14	308107-0-01	1A-1B	308228-2-00	14
300393-0-00	2	303494-0-10	8	305918-0-00	6	307628-0-00	11	308006-4-00	4	308110-3-10	13	308272-0-00	6
300469-2-11	7	303503-0-10	6	305921-0-00	6	307629-0-00	11	308007-0-00	9	308111-0-00	13	308273-0-00	6
300482-0-10	7	303538-0-00	6	305933-4-20	6	307630-0-00	11	308009-0-10	5	308113-0-00	14	308278-0-01	8
300483-0-10	2-3	303539-0-00	6	305934-4-20	6	307631-0-00	11	308012-2-10	5	308114-2-02	13	308281-0-00	8
301459-4-10	7-8	304086-0-10	12	305937-4-10	6	307632-0-00	11	308013-4-02	5	308123-0-00	13	308283-2-10	8
301510-0-10	10	304136-4-00	4	305940-4-10	6	307633-0-01	11	308015-0-00	5	308125-0-01	14	308285-2-00	8
301519-2-11	8	304172-0-10	6	305941-4-10	6	307634-0-00	11	308029-2-00	7-8	308127-0-00	5	308286-4-10	8

Part. N.	Tav. N.	Part. N.	Tav. N.	Part. N.	Tav. N.	Part. N.	Tav. N.	Part. N.	Tav. N.	Part. N.	Tav. N.	Part. N.	Tav. N.
308287-0-00	8	308548-0-10	1B	309360-0-00	3	311395-0-00	14	704347-2-00	8	722453-2-00	14	741092-0-00	13
308289-4-11	8	308556-0-00	2	309371-0-00	3	312293-0-00	8	704406-2-00	8	722481-2-00	12	741413-2-00	2
308293-0-02	5	308558-0-00	2	309372-0-00	3	312295-2-01	4	704409-2-00	15	722905-2-00	15	741520-2-00	3
308294-0-10	8	308576-2-20	14	309562-0-00	8	313375-0-01	1A-1B	704419-0-00	4	724420-2-00	1A-1B	741612-2-00	2
308296-0-00	8	308588-4-10	14	309830-2-00	5	313624-0-00	9	704812-0-00	11	724422-2-00	3	741642-2-00	2
308297-0-00	7	308689-0-00	12	309831-2-00	5	314169-0-00	5	704813-0-00	6-13	724441-0-00	8	741658-2-00	3
308310-0-00	7	308718-3-01	5	309838-2-01	8	314183-0-00	5	704814-0-00	8-10	724471-0-00	11	741675-2-00	6
308320-4-10	9	308737-0-00	9	309839-2-01	8	700010-0-00	11	704846-0-00	7-8	727215-0-00	2-7-8	741682-0-00	2
308325-3-00	6	308774-2-00	8	310368-0-00	3	700205-0-00	9-12	704849-0-00	7	727834-2-00	1A-1B	741936-2-00	3
308326-2-01	6-11	308780-2-00	8	310391-0-00	6	700206-0-00	10	704852-0-00	5	728232-0-00	8	742068-2-00	12
308327-0-00	6	308788-2-02	3	310392-2-00	6	700208-0-00	15	704869-0-00	5	729011-2-00	7	742222-2-00	5
308330-3-00	6	308802-0-00	7	310393-4-00	6	700596-0-00	5	705013-0-00	5	729012-2-00	1A-1B	742282-2-00	3
308331-4-01	14	308834-0-00	1A-1B	310394-2-00	6	701004-0-00	13	705027-0-00	11	729013-2-00	5-6-8	742311-2-00	1A-1B
308336-0-01	6	308851-2-01	5	310418-2-00	7	701009-0-00	7	705201-0-00	2		11-12	742458-0-00	11
308345-4-00	7	308852-0-10	5	310433-0-01	2	701032-0-00	13	705718-0-00	3	729032-2-00	13	742811-0-00	8
308350-4-00	7	308853-0-02	5	310439-2-00	6	701051-0-00	14	705734-0-00	7	729033-2-00	10	742813-0-00	8
308353-0-01	4	308855-0-00	4	310440-2-00	6	701113-0-00	11	705834-0-00	7	729034-2-00	17-18	743541-2-00	15
308360-4-01	8	308858-0-00	5	310441-2-02	4	701134-0-00	14	705970-0-00	3	729044-2-00	5	744040-2-00	6-11
308379-0-00	14	308859-2-00	5	310446-0-00	8	701405-0-00	1A-1B	705977-0-00	14	729434-2-00	7	744332-2-00	9
308389-0-00	5	308887-0-00	4	310454-0-00	3	702403-0-00	6	706434-0-00	11	729904-2-00	9	744636-2-00	3
308412-2-02	9	308957-0-00	14	310457-0-00	2	703003-0-00	14	706454-0-00	5	730023-2-00	12	744676-2-00	1A-1B-3
308418-4-00	8	308967-2-01	2	310458-0-00	2	703005-0-00	4-17-18	707240-0-00	9	730033-2-00	5-6-11		7
308451-0-10	1A-1B	308971-3-00	2	310459-0-00	2	703810-0-00	6	707241-0-00	7-9	730054-2-00	5	744730-0-00	3
308452-2-00	1A-1B	308996-0-03	9	310460-0-01	2	704017-2-00	17-18	707556-0-00	3	733008-2-00	15	745001-2-00	4
308462-0-00	15	309055-2-00	3	310461-0-00	2	704104-2-00	2	720411-2-00	3	733211-2-00	17-18	745124-0-00	5
308495-2-01	1A-1B	309075-4-00	3	310462-4-00	2	704210-4-00	2-4	721412-2-00	10	733305-2-00	18	745126-2-00	1A-1B
308501-0-01	1A-1B	309084-0-00	3	310473-4-01	4	704216-2-00	12	721424-2-00	11-13	733505-2-00	6-17-18	745136-2-00	8
308502-0-00	1A-1B	309086-0-01	3	310474-4-00	4	704218-2-00	2	721444-2-00	1A-1B-2	733507-2-00	13	745800-2-00	4
308503-0-01	1A-1B	309088-0-01	3	310477-0-10	6	704220-2-00	2		13	733508-2-00	17-18	745812-2-00	5-8-11
308504-0-00	1A	309096-4-00	3	310479-4-00	6	704226-2-00	8-12	721474-2-00	3	733806-2-00	17-18	745815-2-00	6-7-8
308505-0-00	1A-1B	309118-2-00	3	310510-4-00	11	704236-2-00	9	721475-2-00	15	733813-0-00	15	745827-2-00	5-9-12
308506-0-00	1A-1B	309126-3-00	3	310511-4-00	11	704240-2-00	9	721484-2-00	14	739034-2-00	9	745900-2-00	4
308507-0-00	1A-1B	309139-4-00	3	310517-4-00	11	704302-4-00	2	721494-2-00	9	740034-0-00	9	746021-2-00	12
308511-0-00	1B	309177-3-00	3	310561-2-00	13	704305-0-00	6	721514-0-00	13	740210-2-00	2	746203-4-00	11
308512-0-00	1A-1B	309265-0-00	3	310637-2-01	4	704306-2-00	3-6	722063-2-00	14	740240-0-00	14	746204-2-00	9
308518-4-00	1A-1B	309311-2-00	3	310638-4-00	4	704309-4-00	7	722084-2-00	5	740444-2-00	9	746401-2-00	6
308521-4-00	1A-1B	309323-0-00	3	310639-0-00	4	704314-2-00	11	722411-2-00	6-14	740632-2-00	9	746406-2-00	8
308523-4-00	1B	309324-2-10	3	311098-0-00	2	704316-2-00	15	722431-2-00	12-17-18	741056-0-00	5	746407-2-00	8
308527-4-00	1A	309332-0-00	3	311188-0-00	2	704345-2-00	15	722432-2-00	10-11	741082-2-00	13	746408-2-00	4-5
308546-4-00	1B	309351-0-00	3	311310-0-00	11	704346-2-00	15	722443-2-00	10-12	741088-2-00	3-5	746409-2-00	15

INDICE NUMERICO

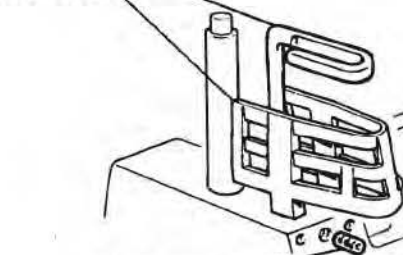
INDEX

Part. N.	Tav. N.	Part. N.	Tav. N.	Part. N.	Tav. N.	Part. N.	Tav. N.	Part. N.	Tav. N.	Part. N.	Tav. N.	Part. N.	Tav. N.
746612-2-00	8	991162-2-00	18										
778205-0-00	11	991166-2-01	18										
778222-0-00	6	991172-0-00	17-18										
778238-0-00	7-8	991179-0-01	17-18										
778434-0-00	11	991192-0-00	18										
778827-0-00	6	991193-4-00	18										
790242-0-00	13	991194-4-00	17										
790315-0-00	13	991197-4-00	18										
790325-0-00	13	991199-0-00	17-18										
790342-0-00	13	991206-0-00	17-18										
900201-0-10	15	991219-0-00	17-18										
900203-0-10	15	991246-2-00	18										
900694-0-11	15	991247-2-00	17										
901101-0-00	15	991250-0-01	15										
901102-0-00	15	991251-4-00	15										
910071-0-10	12	991253-4-00	15										
925433-0-00	17-18	991255-0-00	15										
930105-0-10	16	991256-0-00	15										
990069-0-00	16	991257-0-00	15										
990175-0-10	16	991259-3-00	15										
990176-0-10	16	991264-2-00	17										
990179-4-11	15	991265-2-00	18										
990188-0-10	16	991267-0-00	17-18										
990193-0-00	16	991268-0-00	17-18										
990311-0-10	12	991269-2-00	17-18										
990317-0-11	15	991278-2-00	18										
990474-0-11	16	991279-2-00	17-18										
990578-0-13	16	991280-0-00	16										
990587-0-11	16	991383-0-10	17 18										
990723-0-00	16	991408-4-02	16										
990982-0-00	15	991415-0-00	16										
991102-2-10	18												
991108-2-01	17-18												
991111-2-00	17-18												
991112-0-00	17-18												
991120-5-02	17												
991126-0-10	17												
991134-0-00	17-18												
991143-0-10	18												
991160-5-02	18												

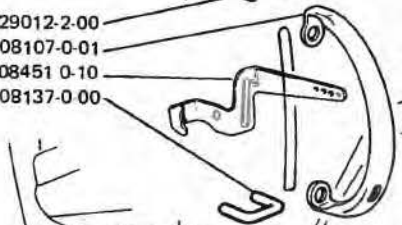
264-38-2LM-02  
264-38-2LM-03  
264-42-2LM-13  
264-42-2LM-15

308452-2-00  
742311-2-00  
302136 0-12  
313375 0-01

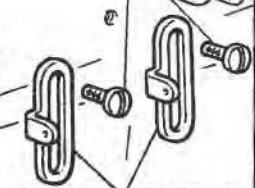
727834-2-00  
308495-2-01  
745126-2-00



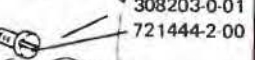
729012-2-00  
308107-0-01  
308451 0-10  
308137-0-00



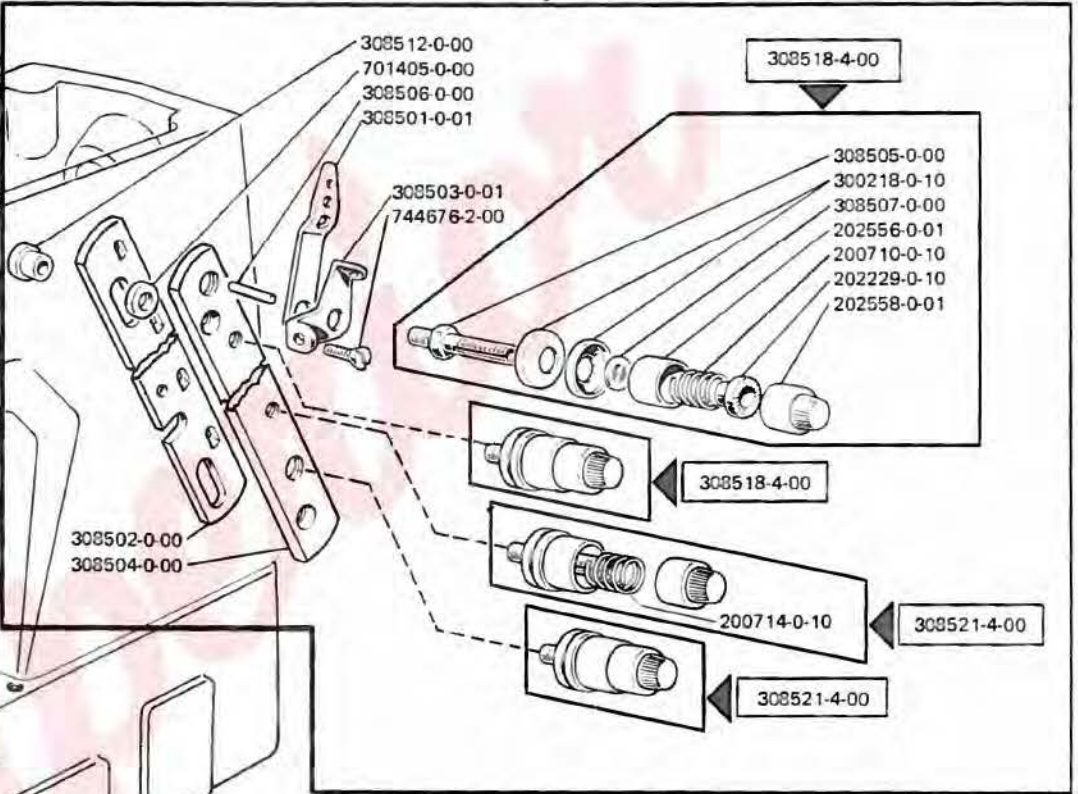
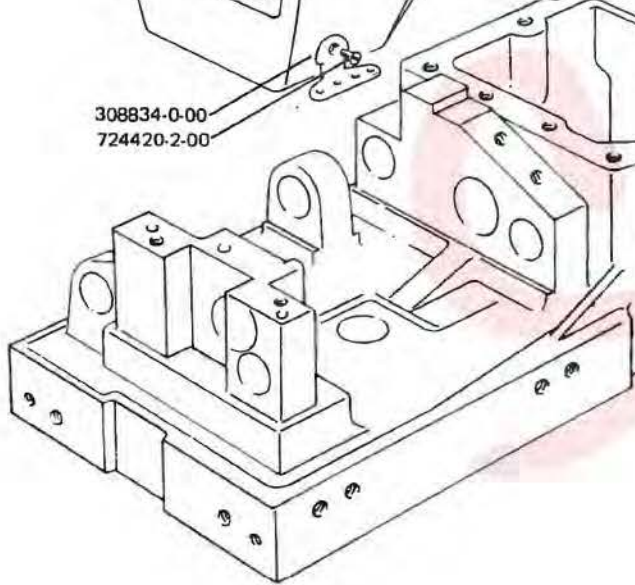
303045 0-10



308203-0-01  
721444-2-00



308834-0-00  
724420-2-00



308527-4-00

308512-0-00  
701405-0-00  
308506 0-00  
308501-0-01

308503-0-01  
744676-2-00

308518-4-00

308505-0-00  
300218-0-10  
308507-0-00  
202556-0-01  
200710-0-10  
202229-0-10  
202558-0-01

308518-4-00

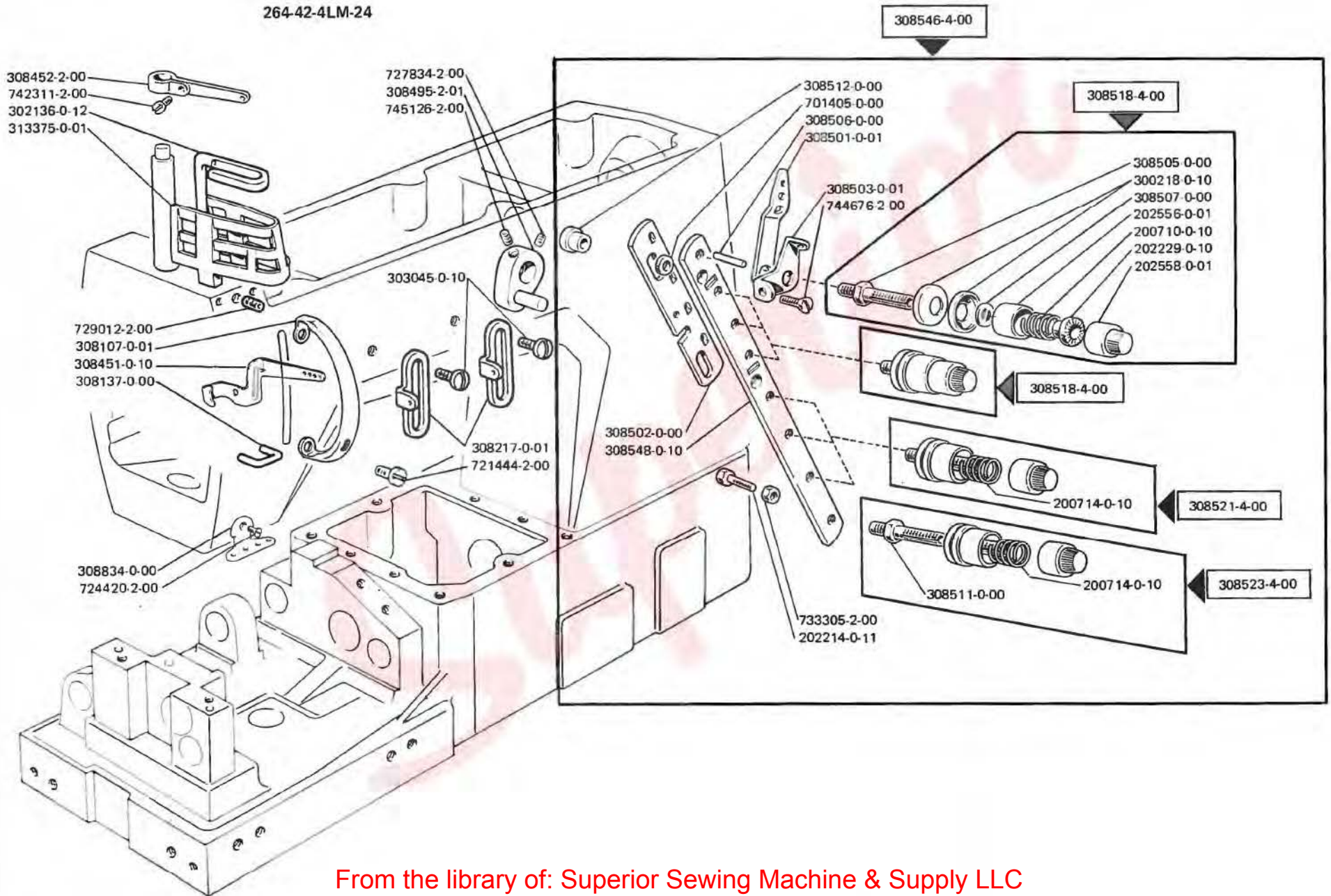
200714-0-10

308521-4-00

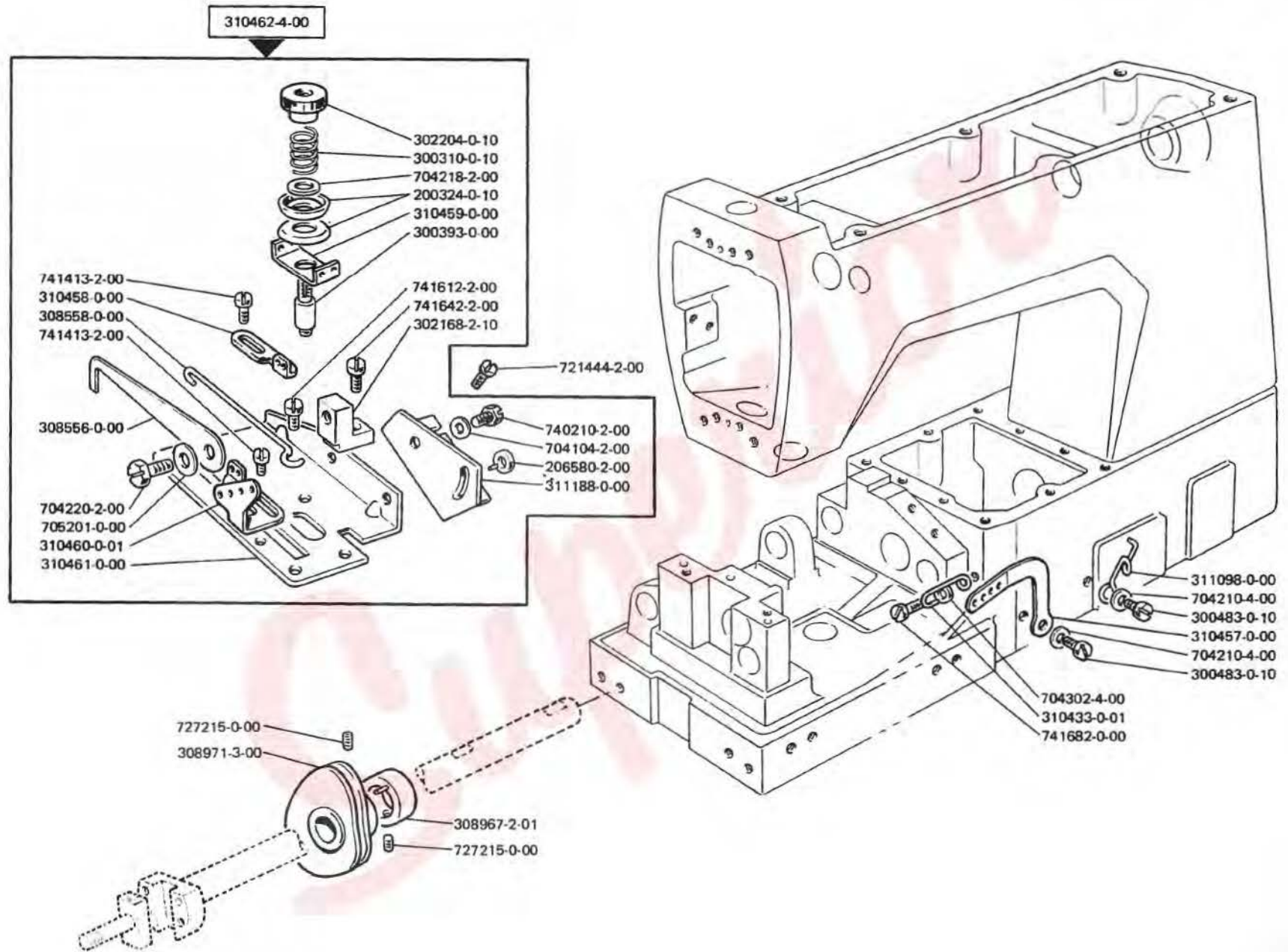
308521-4-00

TAV. 1 B

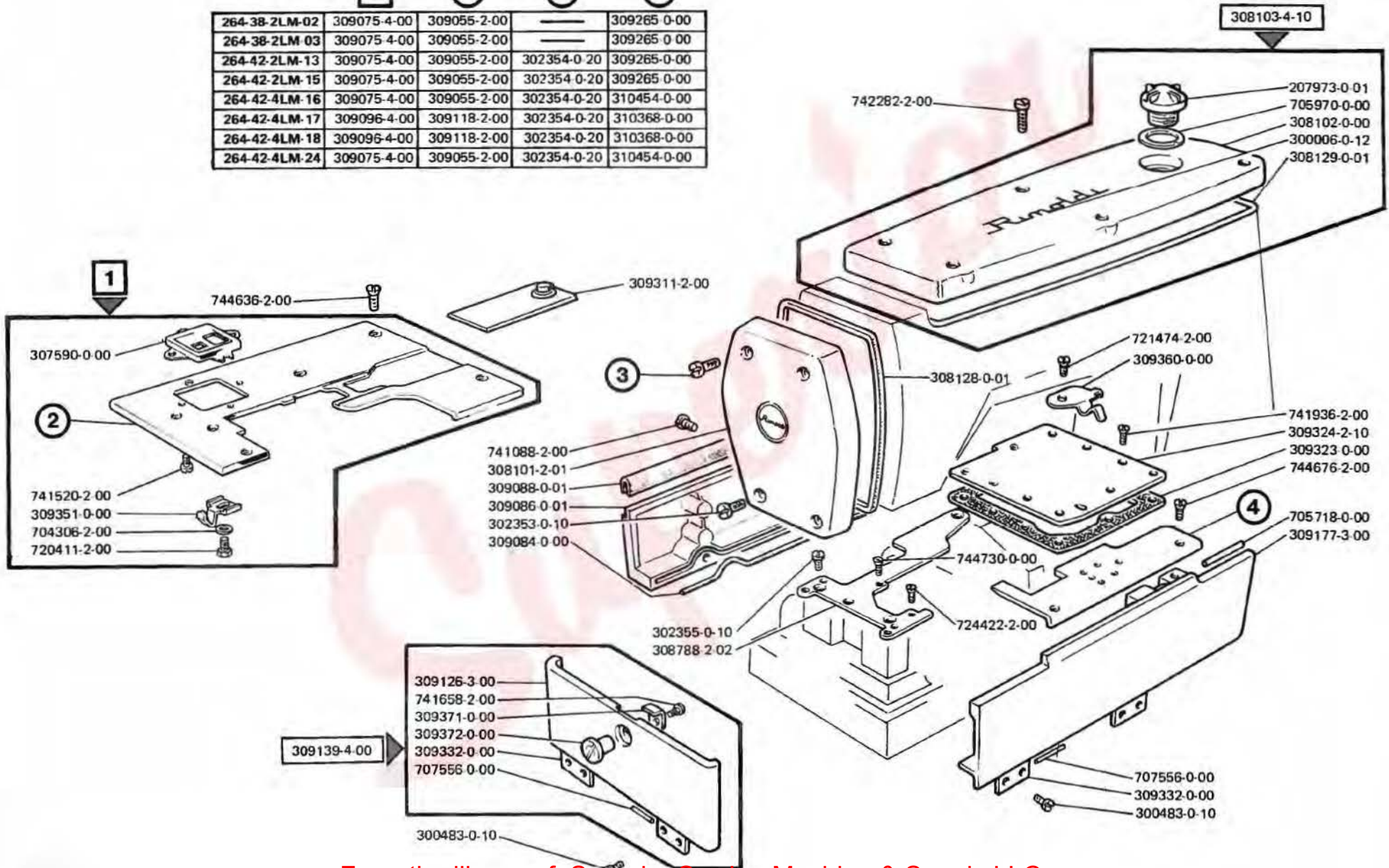
264-42-4LM-16  
264-42-4LM-17  
264-42-4LM-18  
264-42-4LM-24

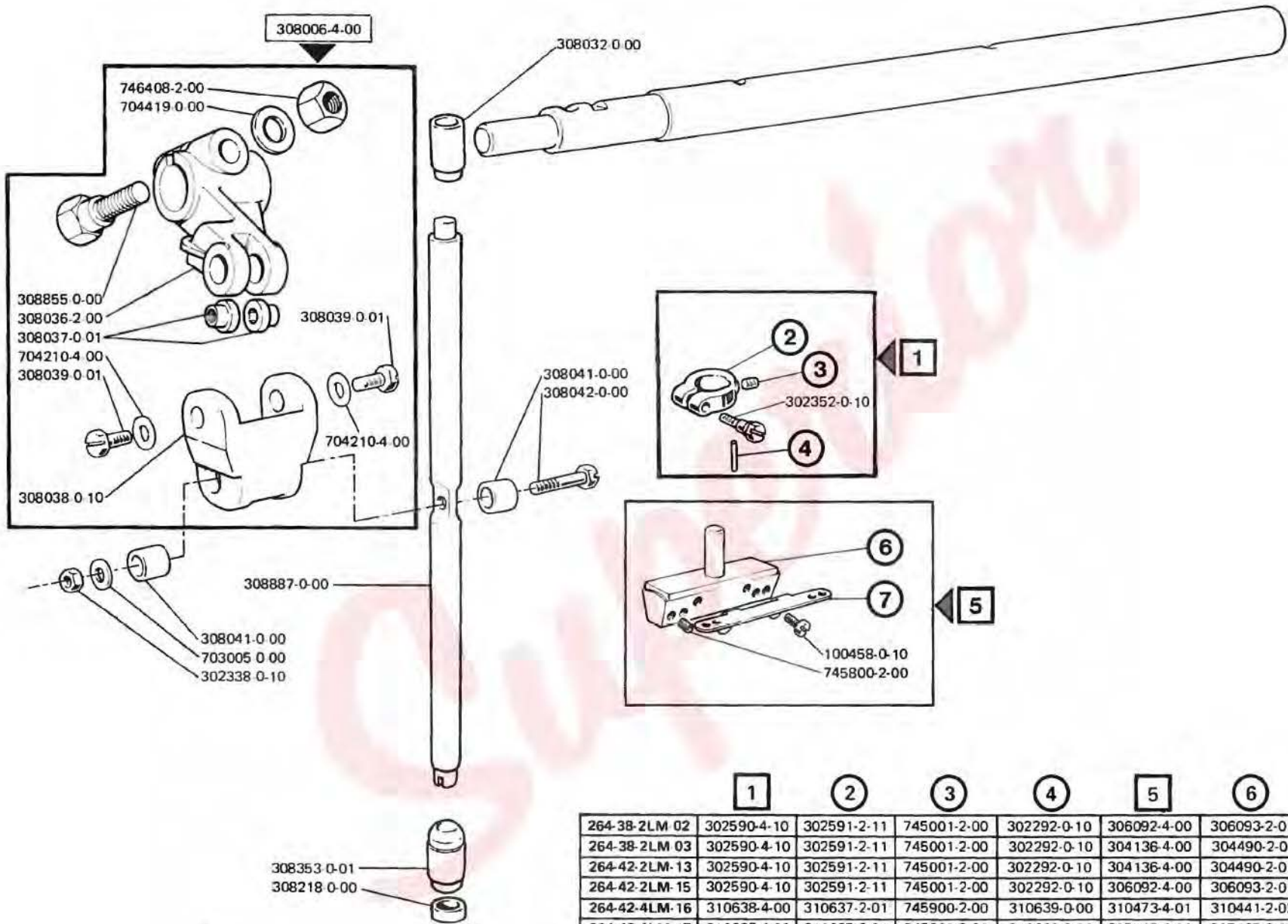




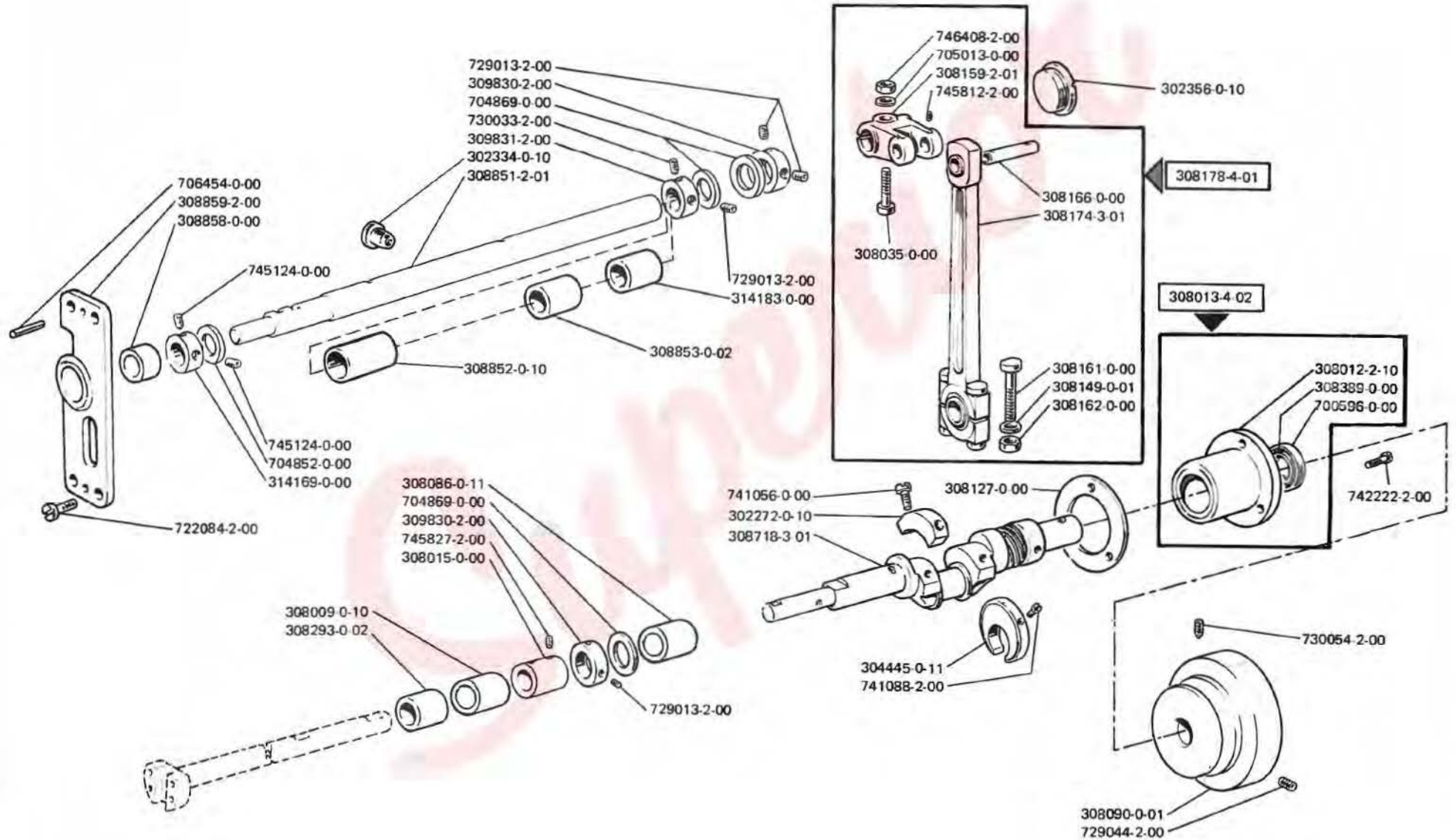


	1	2	3	4
264-38-2LM-02	309075-4-00	309055-2-00	—	309265-0-00
264-38-2LM-03	309075-4-00	309055-2-00	—	309265-0-00
264-42-2LM-13	309075-4-00	309055-2-00	302354-0-20	309265-0-00
264-42-2LM-15	309075-4-00	309055-2-00	302354-0-20	309265-0-00
264-42-4LM-16	309075-4-00	309055-2-00	302354-0-20	310454-0-00
264-42-4LM-17	309096-4-00	309118-2-00	302354-0-20	310368-0-00
264-42-4LM-18	309096-4-00	309118-2-00	302354-0-20	310368-0-00
264-42-4LM-24	309075-4-00	309055-2-00	302354-0-20	310454-0-00

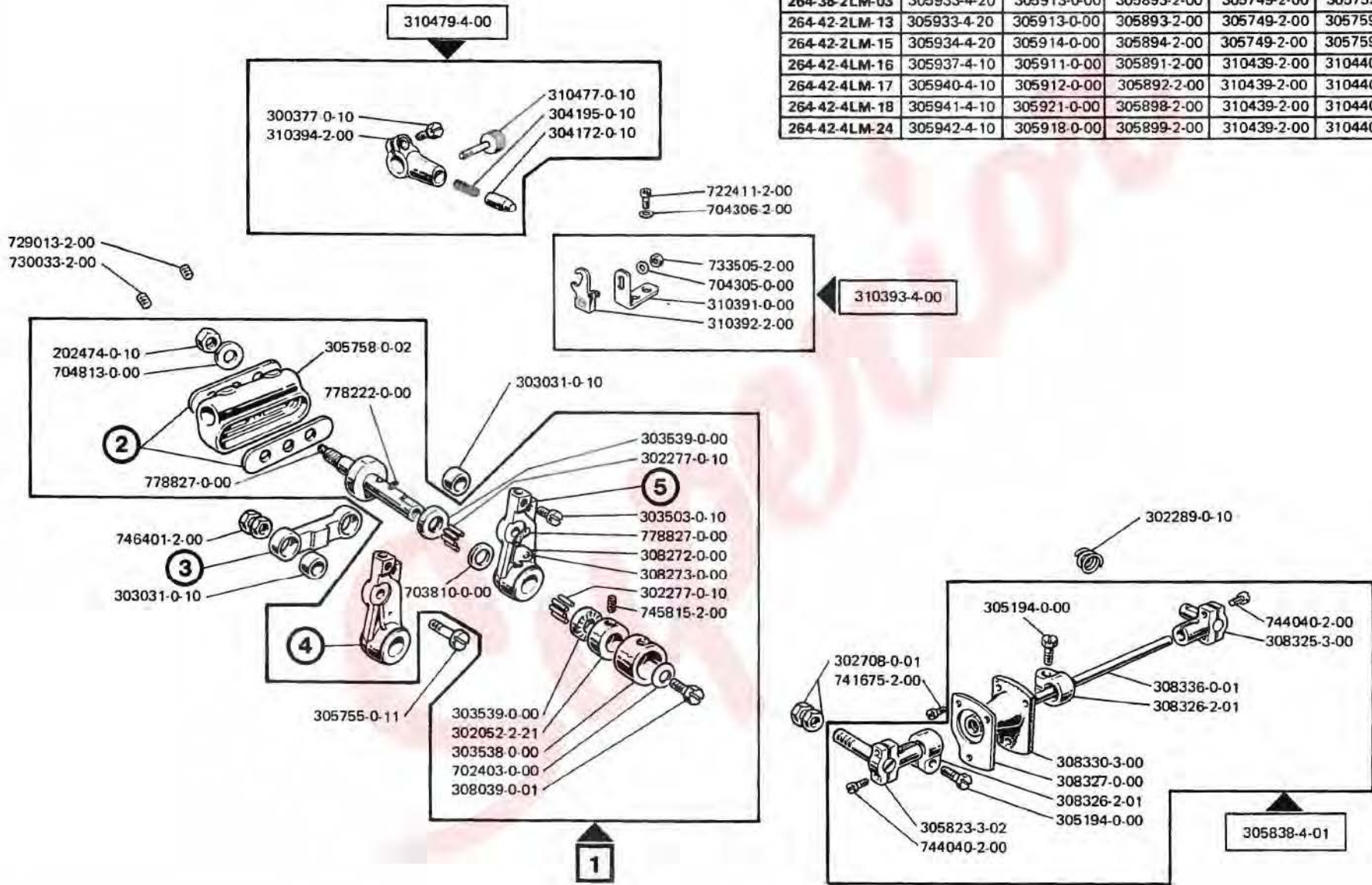


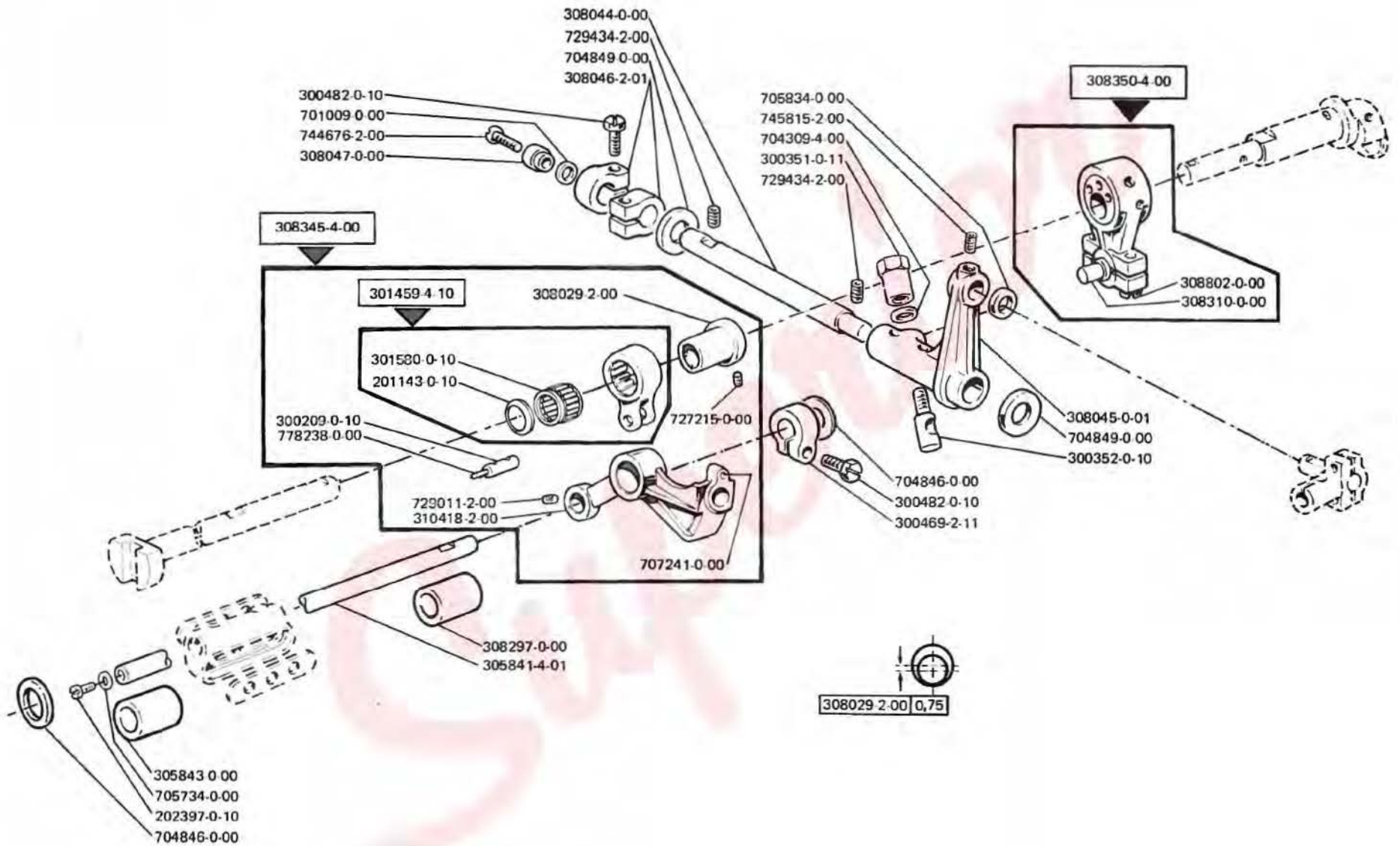


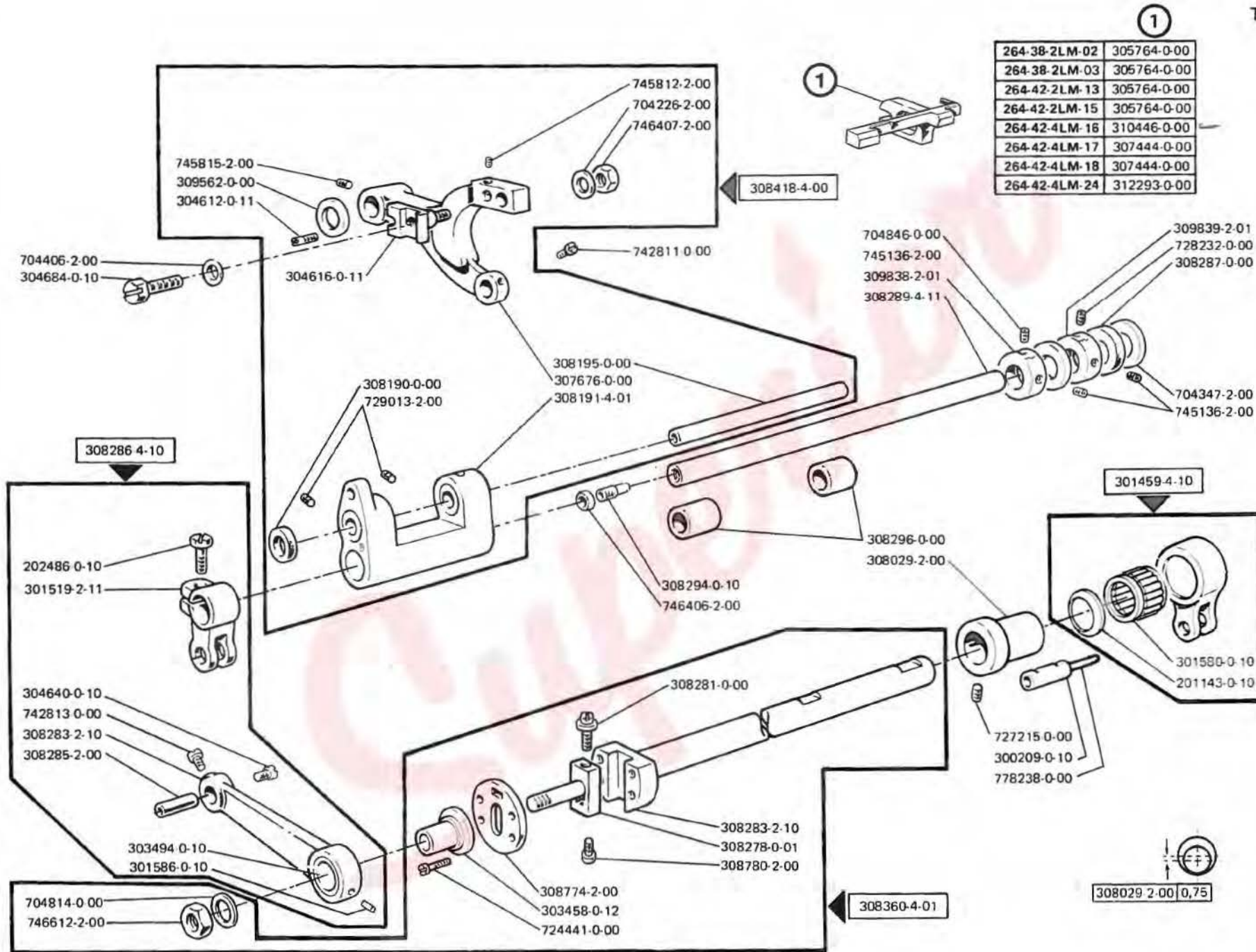
1	2	3	4	5	6	7	
264-38-2LM-02	302590-4-10	302591-2-11	745001-2-00	302292-0-10	306092-4-00	306093-2-01	306091-0-10
264-38-2LM-03	302590-4-10	302591-2-11	745001-2-00	302292-0-10	304136-4-00	304490-2-01	304246-0-10
264-42-2LM-13	302590-4-10	302591-2-11	745001-2-00	302292-0-10	304136-4-00	304490-2-01	304246-0-10
264-42-2LM-15	302590-4-10	302591-2-11	745001-2-00	302292-0-10	306092-4-00	306093-2-01	306091-0-10
264-42-4LM-16	310638-4-00	310637-2-01	745900-2-00	310639-0-00	310473-4-01	310441-2-02	306460-0-10
264-42-4LM-17	310638-4-00	310637-2-01	745900-2-00	310639-0-00	307445-4-00	307435-2-01	307436-0-00
264-42-4LM-18	310638-4-00	310637-2.01	745900-2-00	310639-0-00	307446-4-00	307442-2-01	307443-0-00
264-42-4LM-24	310638-4-00	310637-2-01	745900-2-00	319639-0-00	310474-4-00	312295-2-01	304554-0-10

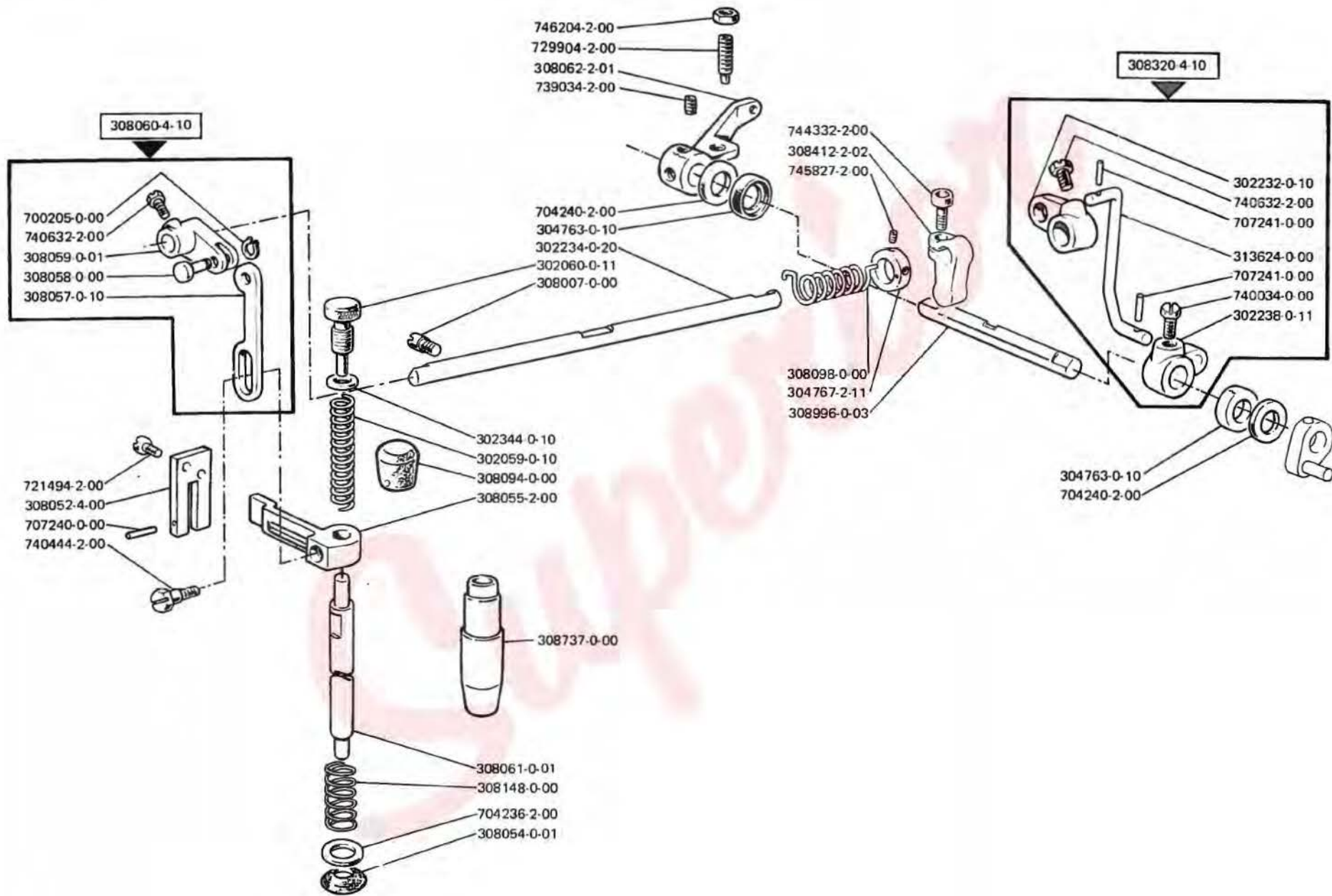


1	2	3	4	5	
264-38-2LM-02	305934-4-20	305914-0-00	305894-2-00	305749-2-00	305759-2-00
264-38-2LM-03	305933-4-20	305913-0-00	305893-2-00	305749-2-00	305759-2-00
264-42-2LM-13	305933-4-20	305913-0-00	305893-2-00	305749-2-00	305759-2-00
264-42-2LM-15	305934-4-20	305914-0-00	305894-2-00	305749-2-00	305759-2-00
264-42-4LM-16	305937-4-10	305911-0-00	305891-2-00	310439-2-00	310440-2-00
264-42-4LM-17	305940-4-10	305912-0-00	305892-2-00	310439-2-00	310440-2-00
264-42-4LM-18	305941-4-10	305921-0-00	305898-2-00	310439-2-00	310440-2-00
264-42-4LM-24	305942-4-10	305918-0-00	305899-2-00	310439-2-00	310440-2-00

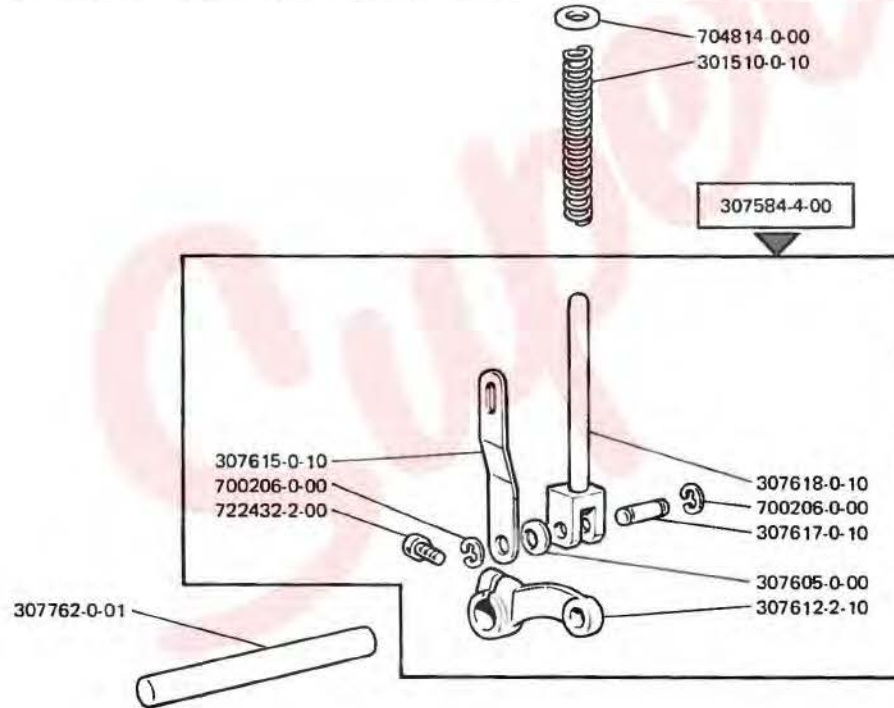
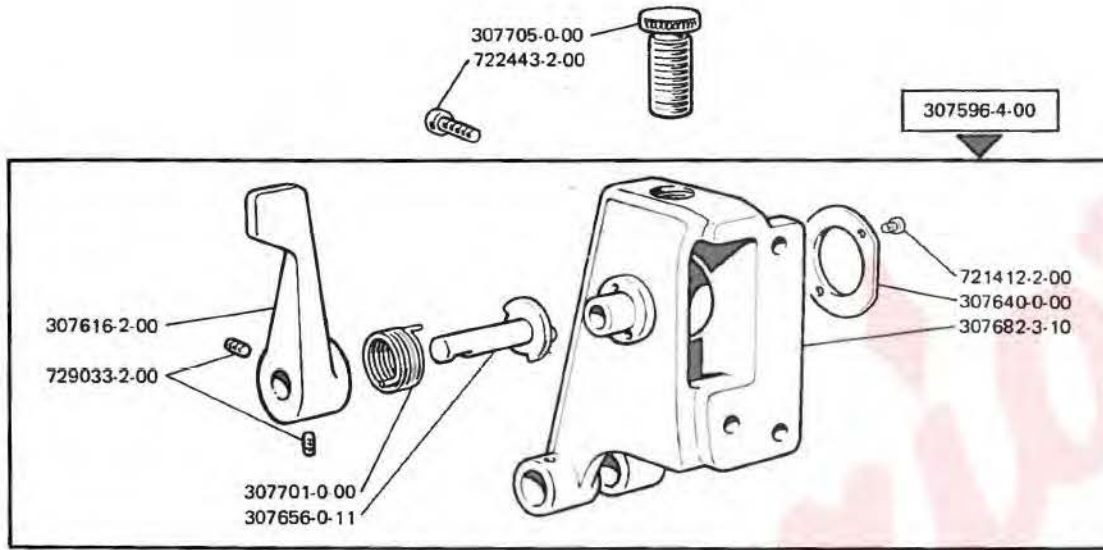


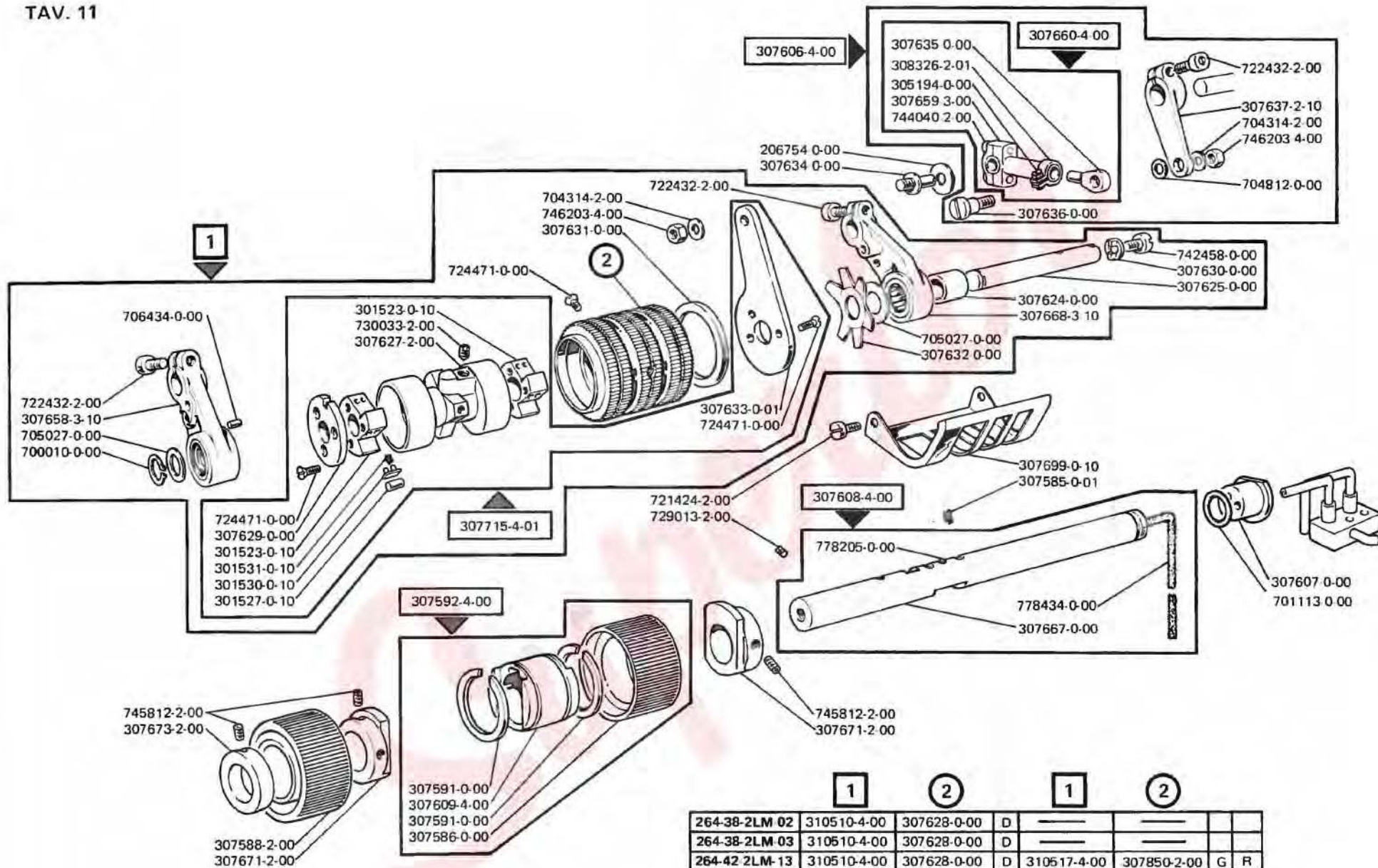






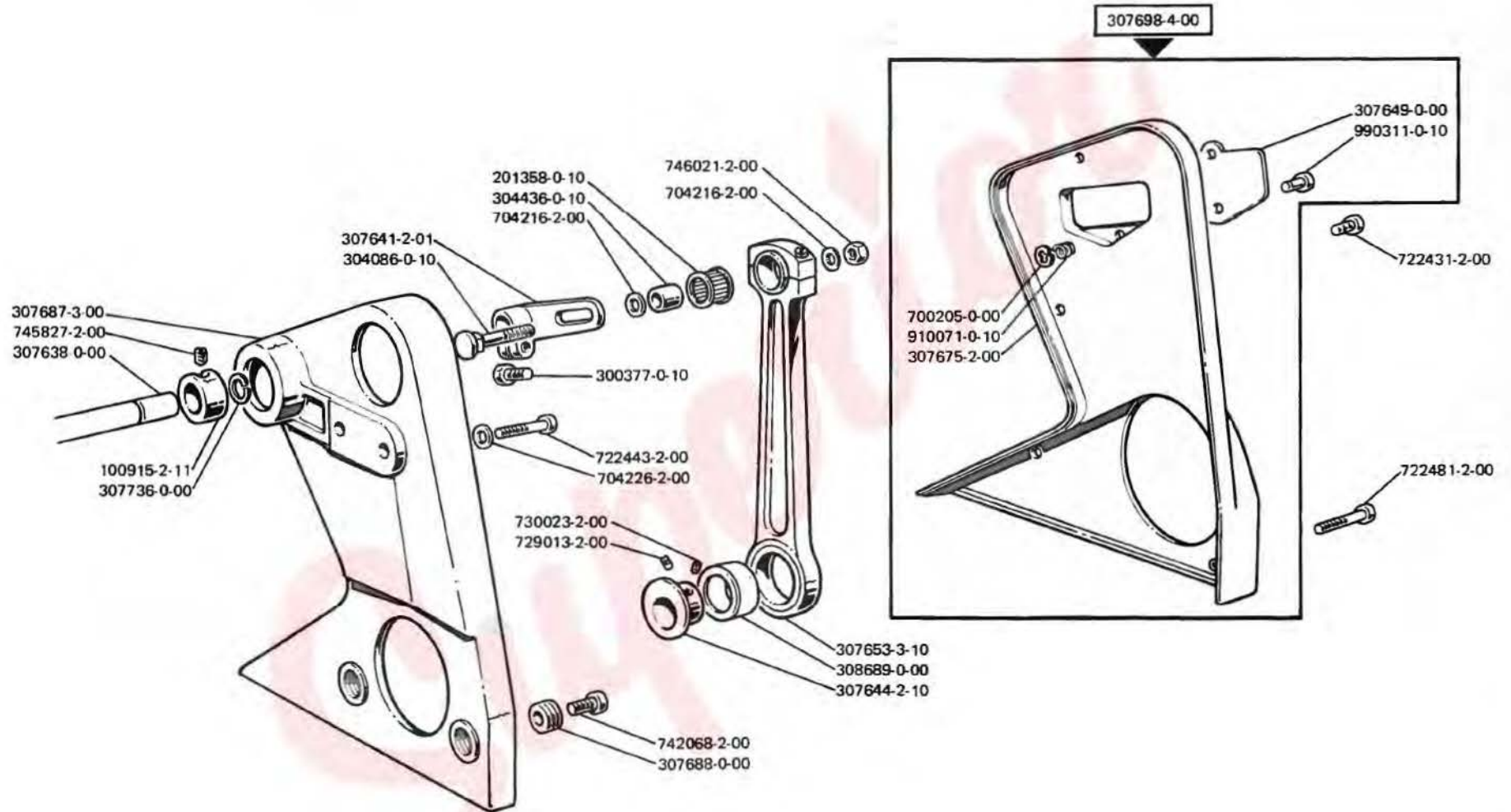


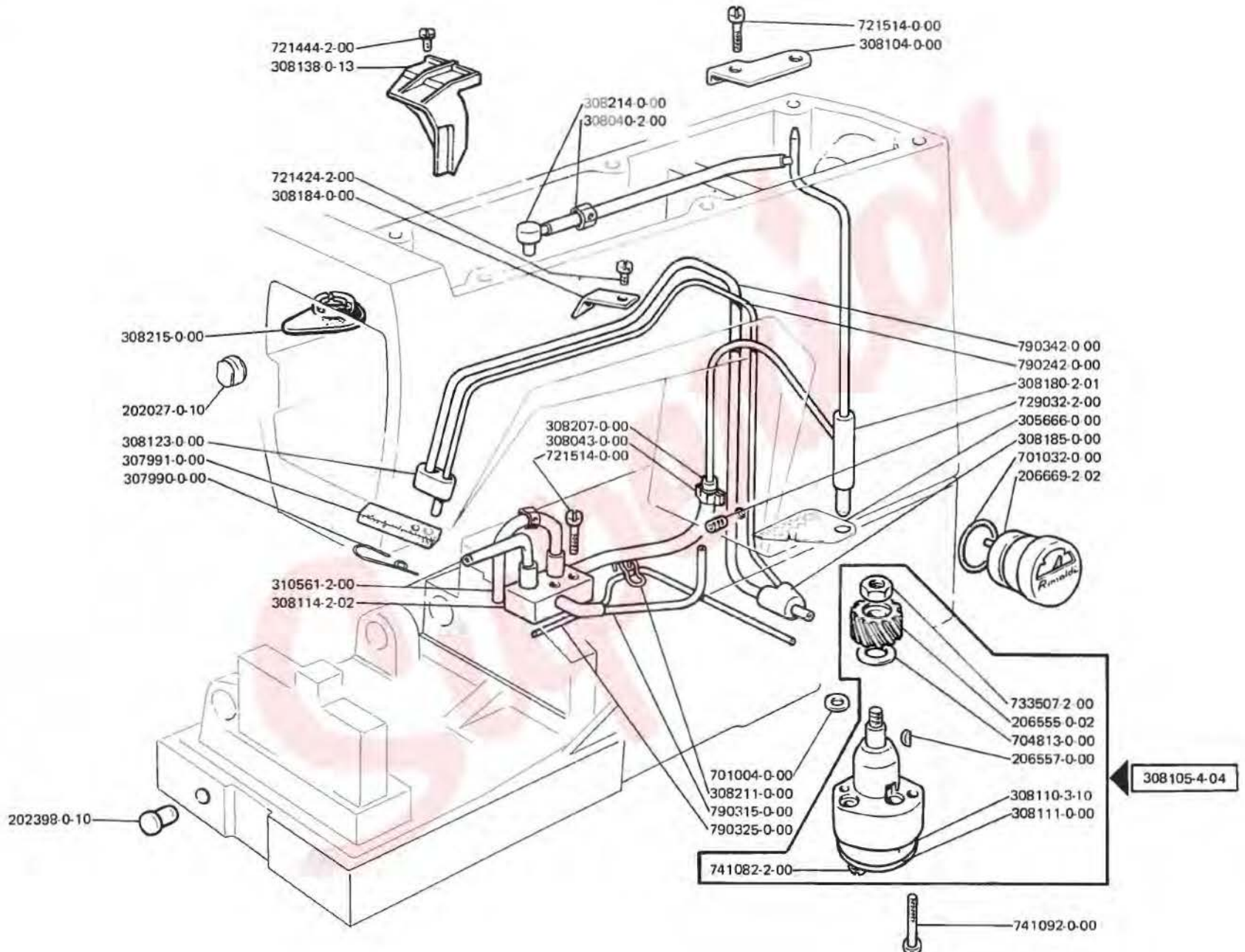


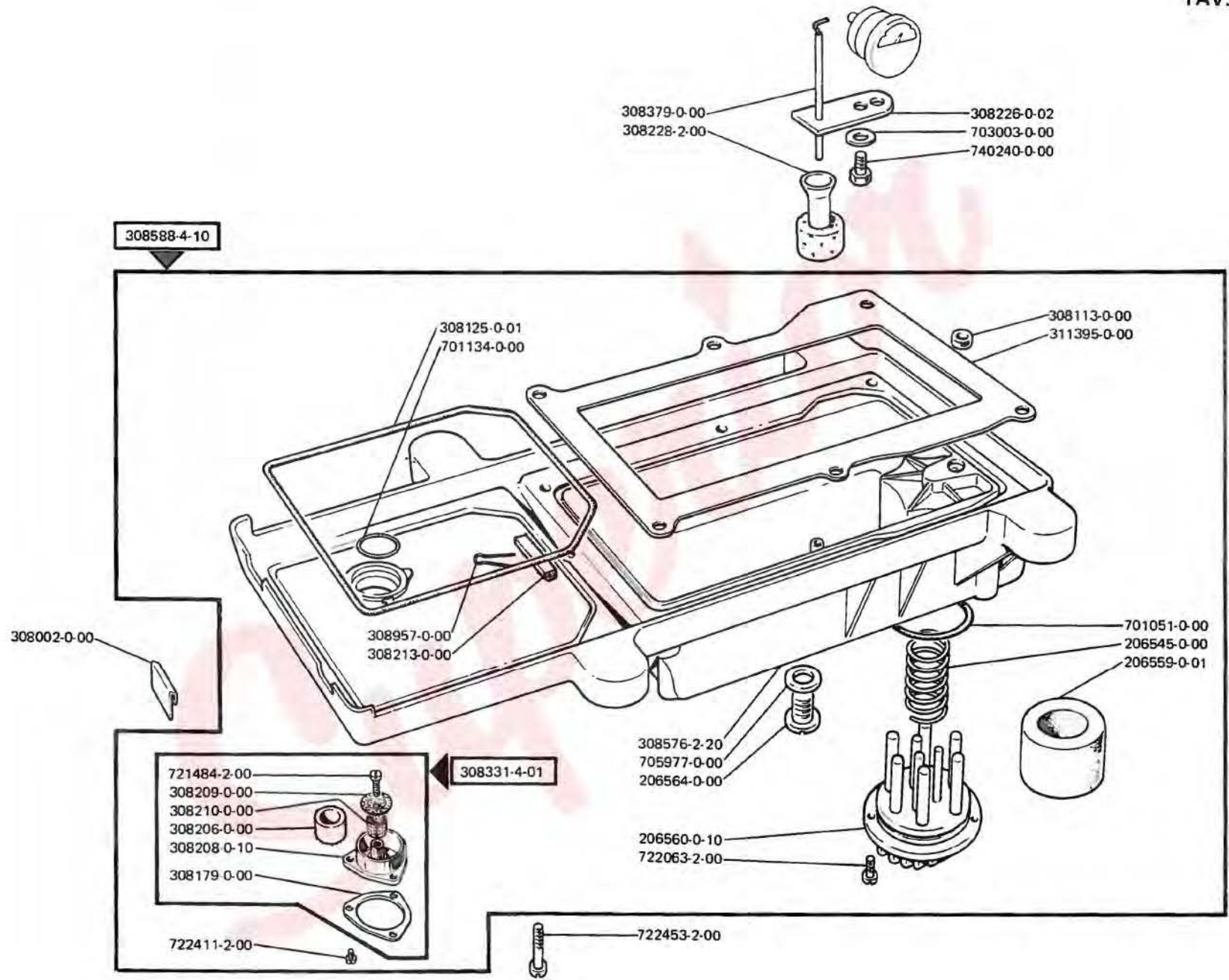


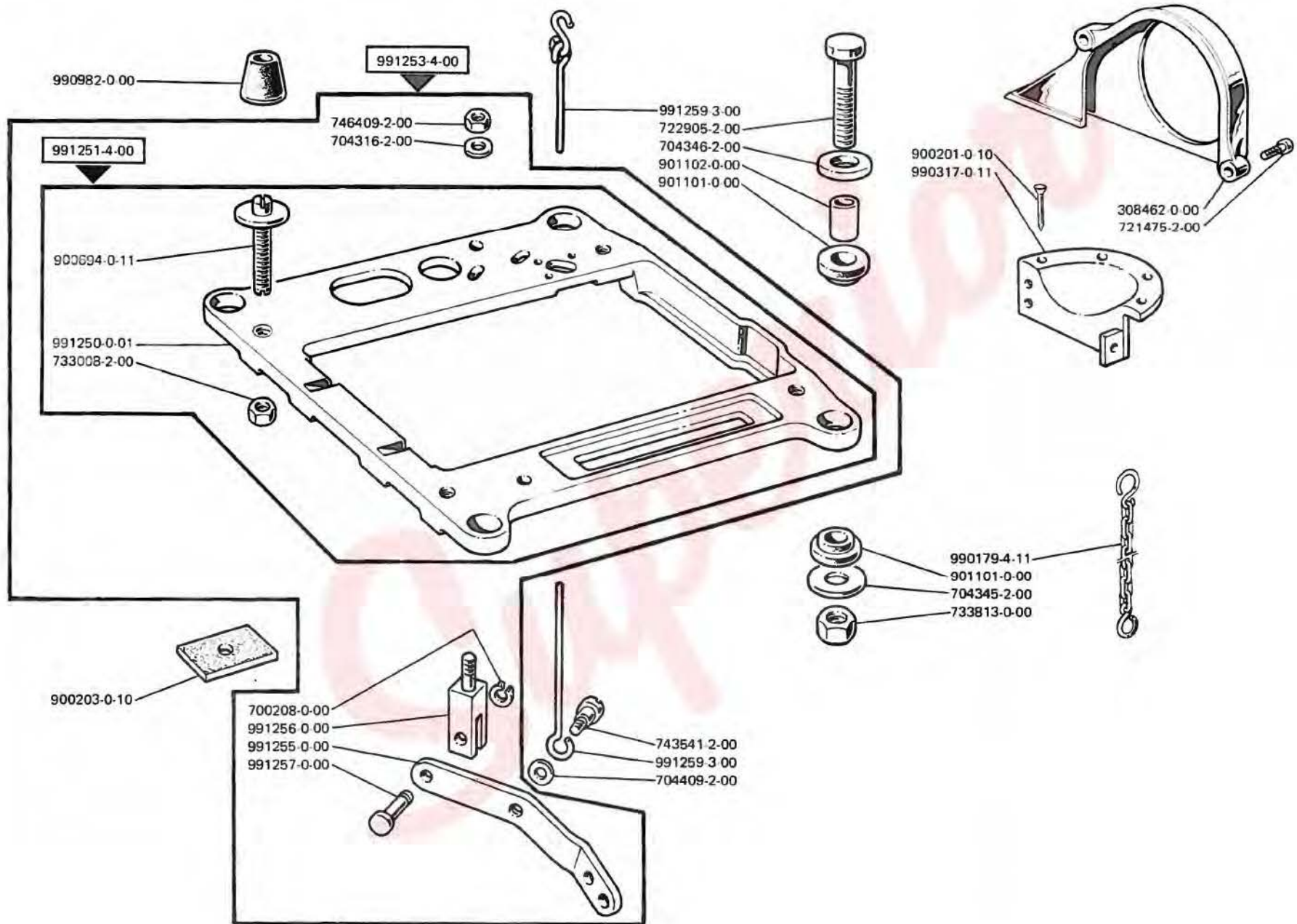
D = RULLO DENTATO SPROCKET ROULEAU DENTE  
 G = RULLO GOMMATO RUBBER ROLLER ROULEAU GOMME  
 Z = RULLO ZIGRINATO KNURLED ROLLER ROULEAU MOLETTE  
 R = A RICHIESTA

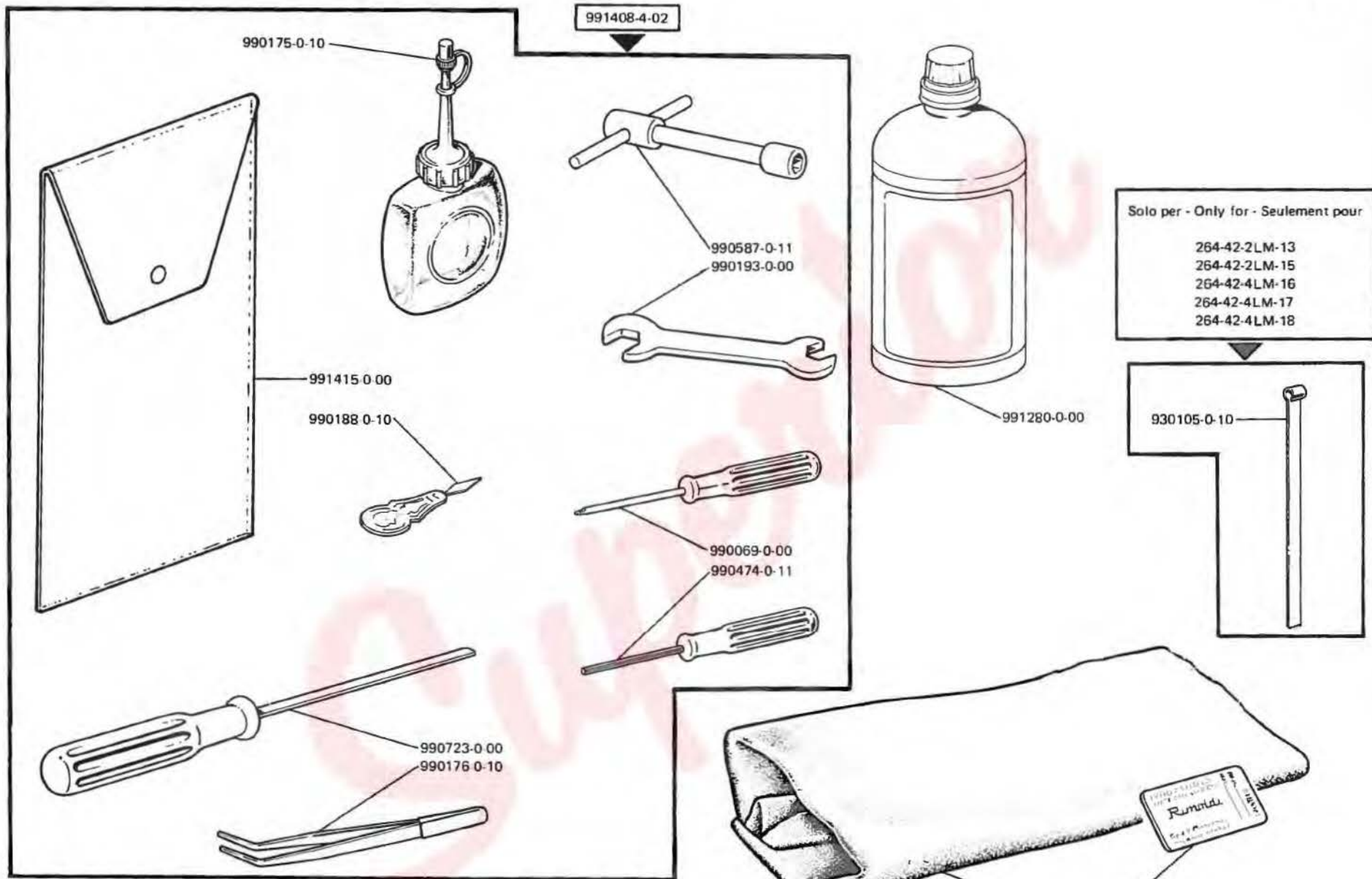
	1	2		1	2		
264-38-2LM-02	310510-4-00	307628-0-00	D	—	—		
264-38-2LM-03	310510-4-00	307628-0-00	D	—	—		
264-42-2LM-13	310510-4-00	307628-0-00	D	310517-4-00	307850-2-00	G	R
264-42-2LM-15	310510-4-00	307628-0-00	D	310517-4-00	307850-2-00	G	R
264-42-4LM-16	310510-4-00	307628-0-00	D	310517-4-00	307850-2-00	G	R
264-42-4LM-17	310510-4-00	307628-0-00	D	310517-4-00	307850-2-00	G	R
264-42-4LM-18	310510-4-00	307628-0-00	D	310517-4-00	307850-2-00	G	R
264-42-4LM-24	310510-4-00	307628-0-00	D	310517-4-00	307850-2-00	G	R
				310511-4-00	311310-0-00	Z	R









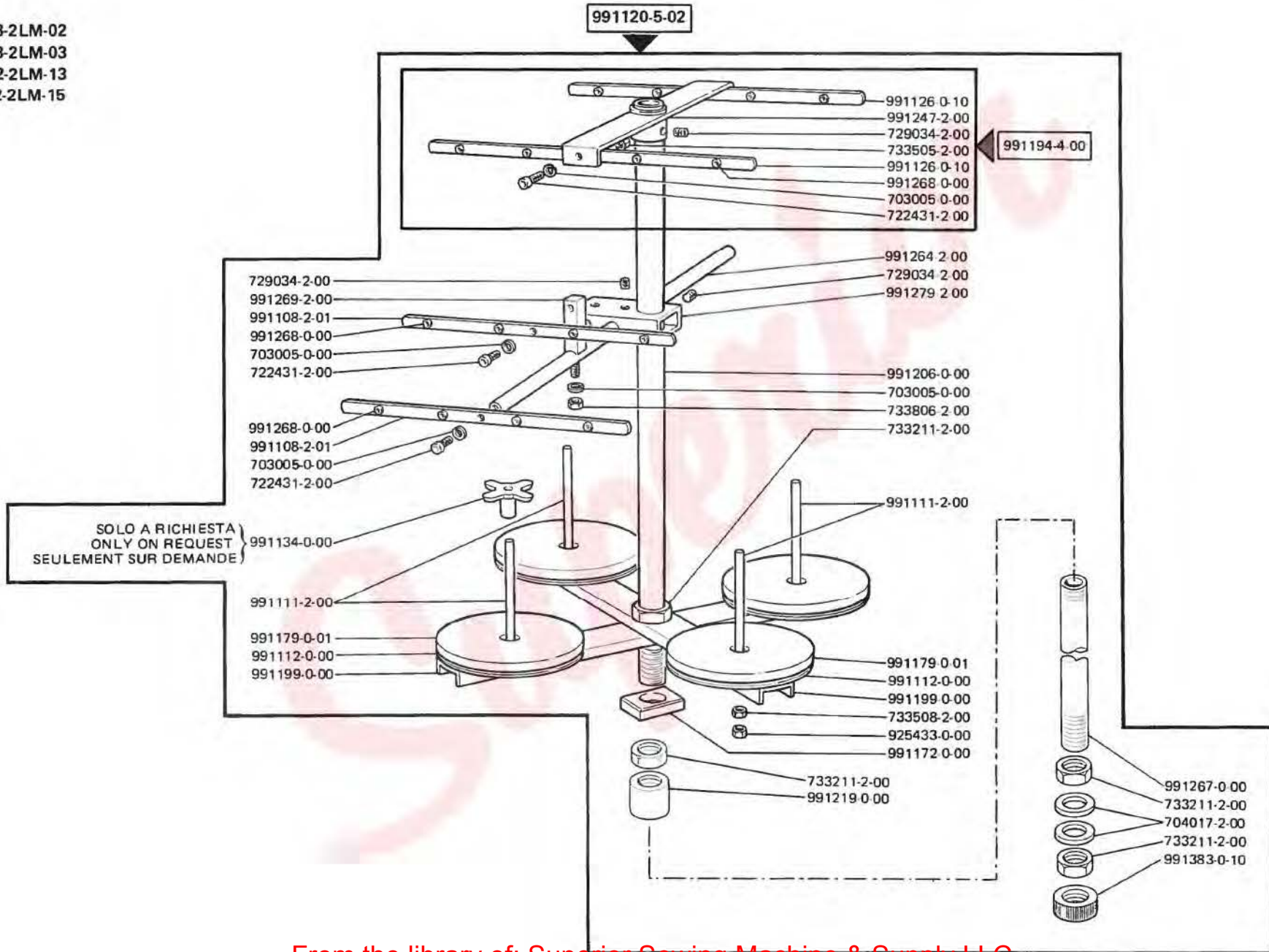


★ per l'ordinazione della bustina citare lo stesso simbolo dell'ago montato sulla testa.

★ to order packet of needles please specify symbol of needle fitted on machine.

★ pour commander un sachet d'aiguille donner le symbol de l'aiguille montee sur la tete.

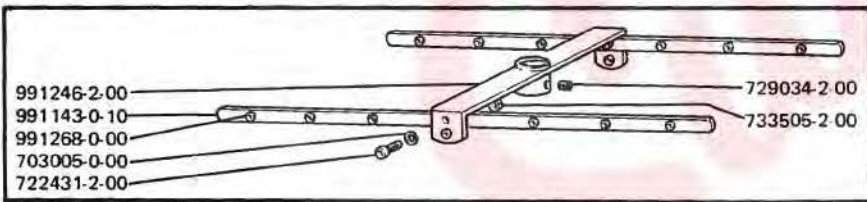
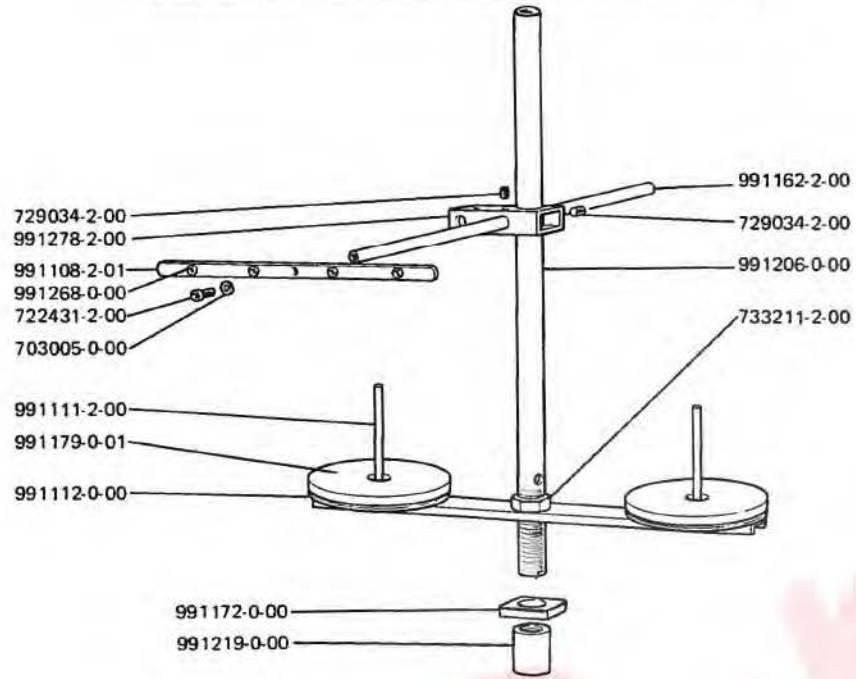
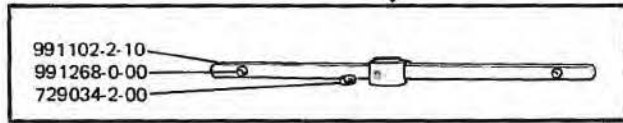
264-38-2LM-02  
 264-38-2LM-03  
 264-42-2LM-13  
 264-42-2LM-15



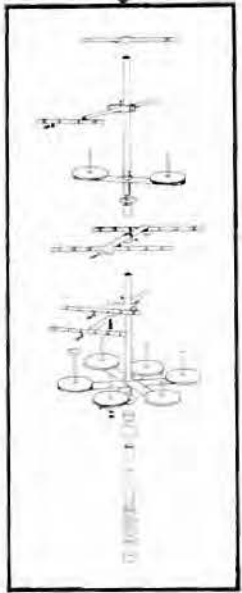
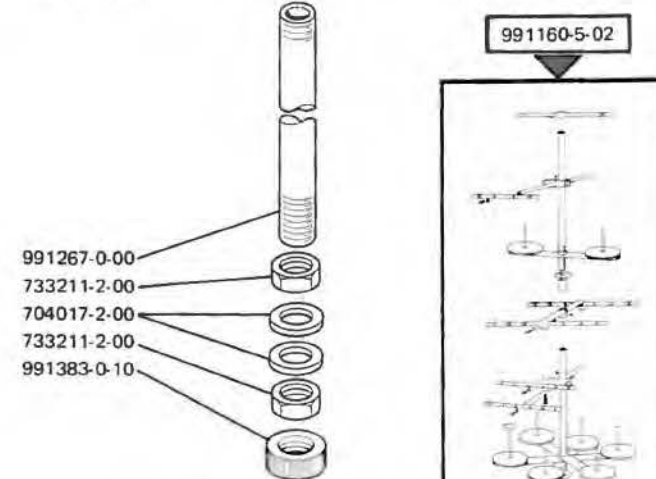
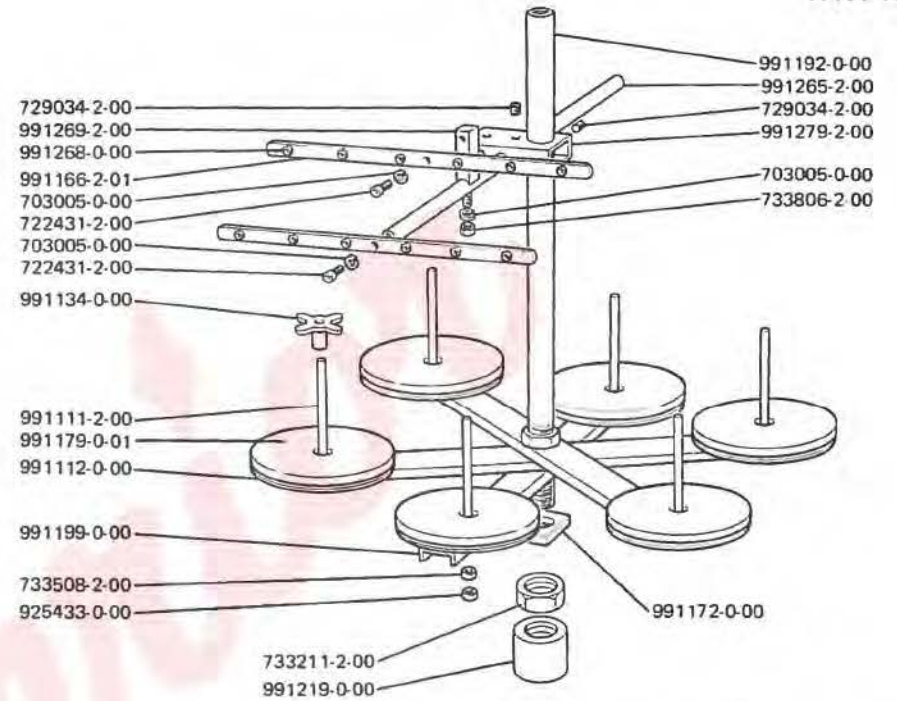







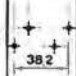



264-42-4LM-16  
 264-42-4LM-17  
 264-42-4LM-18  
 264-42-4LM-24




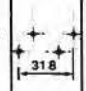
991197-4-00

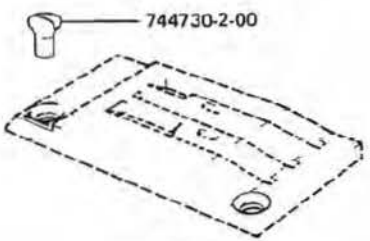

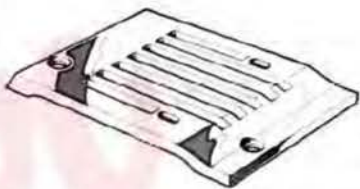
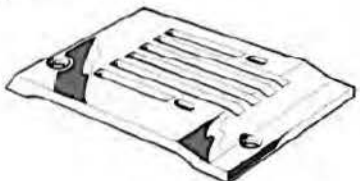

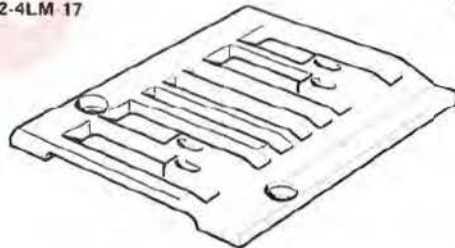
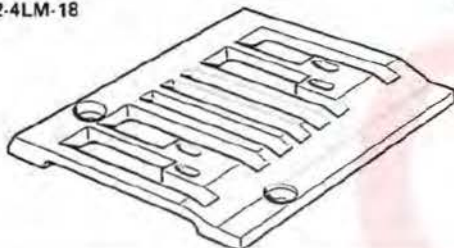
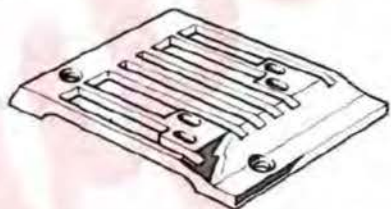
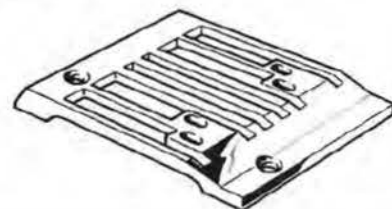
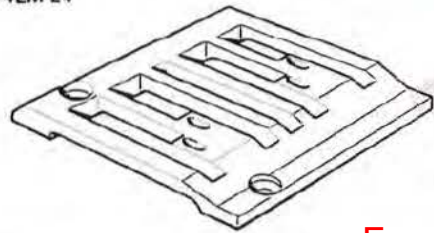
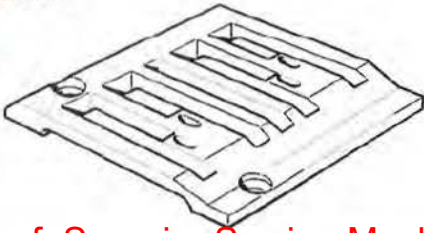


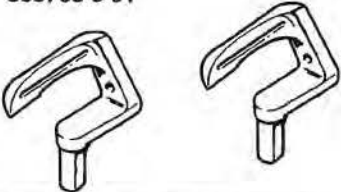
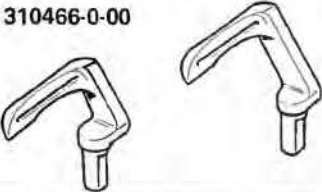
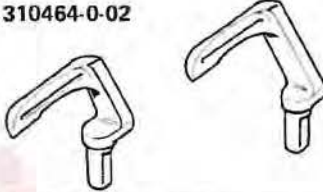
991193-4-00



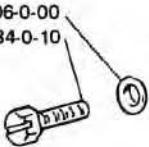
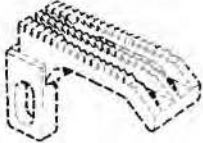
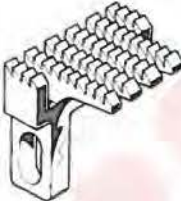
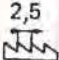
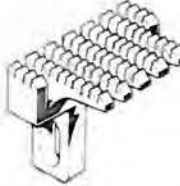
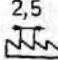
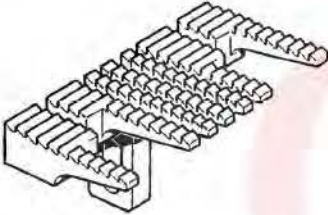
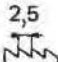
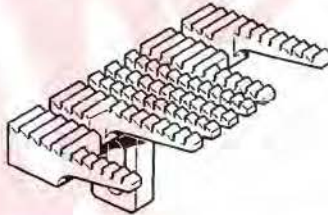
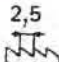
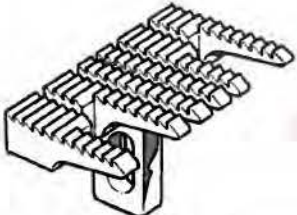
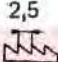
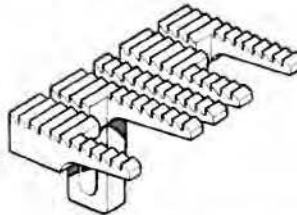
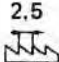
ORGANI DI CUCITURA		SEWING PARTS		ORGANES DE COUTURE								
R = A RICHIESTA		ON REQUEST		SUR DEMANDE								
TESTA HEAD TETE	Placca ago Needle plate Plaque a aiguille	Griffa Feed dog Griffe		Piedino Presser foot Pied presseur	Crochet ant. Front looper Crochet avant.	Crochet post. Rear looper Crochet arriere	Guida e supp. Guide and supp. Guide et supp.	Frenaggio Brake Freinage	Porta rotolo Roll. carrier Porte rouleau	Misuratore Measurer Regle		
264-38-2LM-02	305928-0-00	33	305829-0-00	2,5		306382-3-00	305763-0-01	305763-0-01	305705-2-00 306299-3-00 930431-4-10	930440-4-00	991316-4-00	930820-4-00
264-38-2LM-03	305925-0-00	28,5	305815-0-00	2,5		306331-3-00	305763-0-01	305763-0-01	305705-2-00 306389-3-00 930431-4-10	930440-4-00	991316-4-00	930820-4-00
264-42-2LM-13	305925-0-00 305814-0-01	R 28,5 28,5	305815-0-00	2,5		306674-3-01	305763-0-01	305763-0-01	309906-5-01 309913-5-01 309920-5-00 310311-5-00 310321-5-00	R 930276-4-01	R 991236-4-00 991580-4-00	R R
264-42-2LM-15	305928-0-00 305828-0-01	R 33 33	305829-0-00	2,5		306088-3-11	305763-0-01	305763-0-01	309908-5-01 309915-5-01 309922-5-00 310313-5-00 310323-5-00	R 930276-4-01	R 991236-4-00 991580-4-00	R R
264-42-4LM-16	310600-0-00 310445-0-01	R 	310467-0-00	2,5		310444-3-01	310466-0-02	310465-0-02	309905-5-01 309907-5-01 309909-5-01 309912-5-01 309914-5-01 309916-5-01 309919-5-00 309921-5-00 309923-5-00 310310-5-00 310312-5-00 310314-5-00 310320-5-00 310322-5-00 310324-5-00	R 930276-4-01	R 991236-4-00 991580-4-00	R R
264-42-4LM-17	307433-0-00		307434-0-00	2,5		307430-3-01	310466-0-02	310465-0-02	309907-5-01 309909-5-01 309919-5-00 309923-5-00 310312-5-00 310314-5-00 310317-5-00 310319-5-00 310326-5-00 311762-5-00 311764-5-00 310766-5-00	R 930276-4-01	R 991236-4-00 991580-4-00	R R

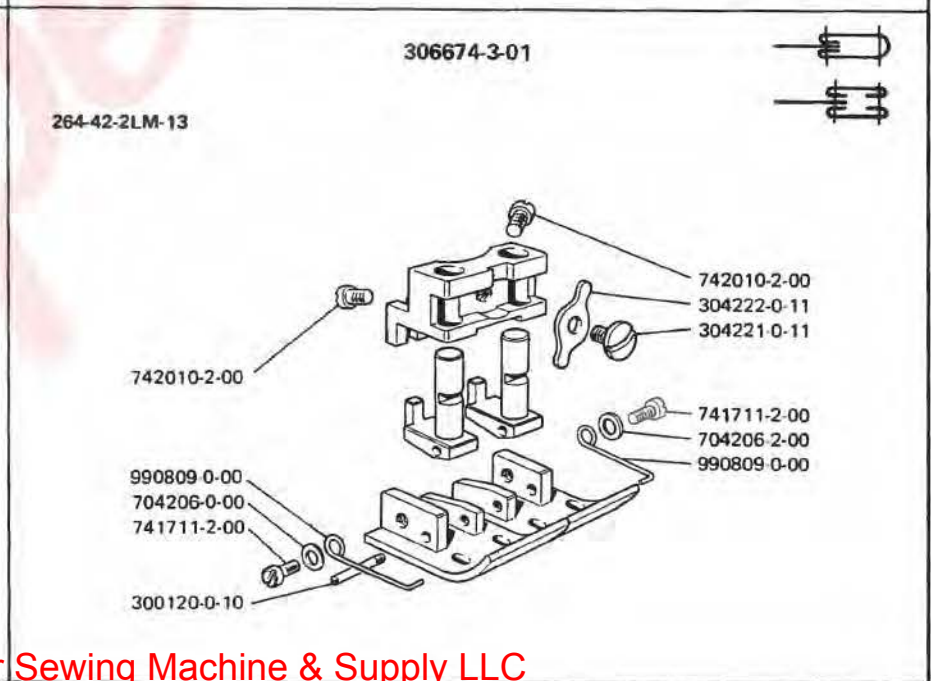
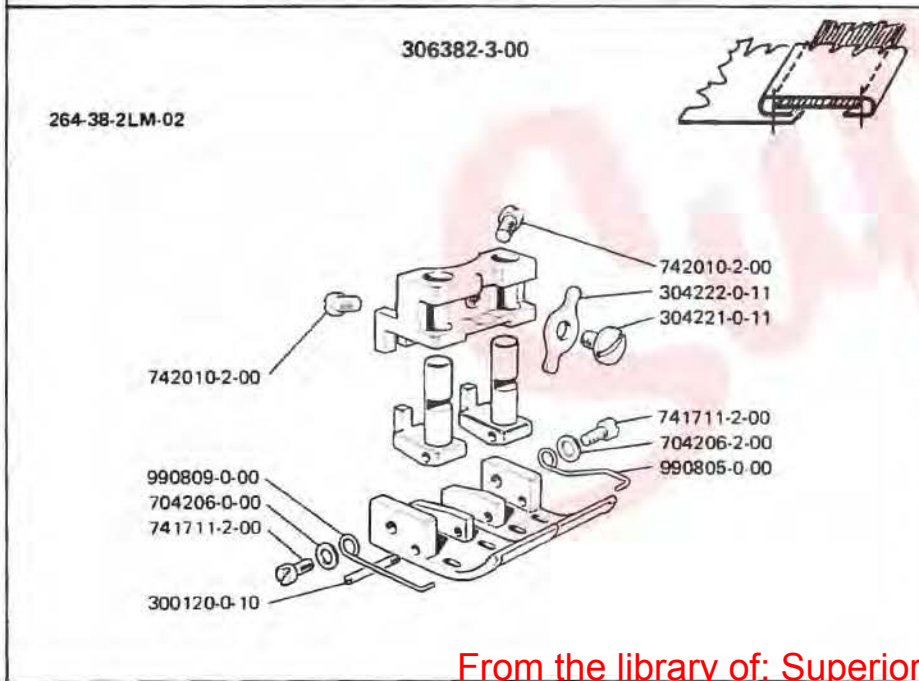
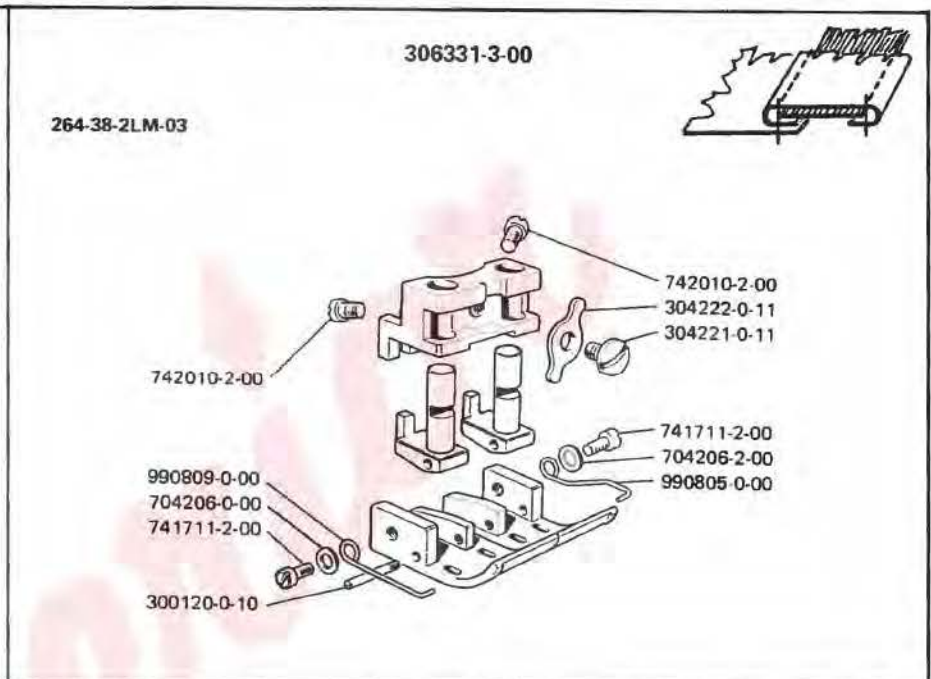
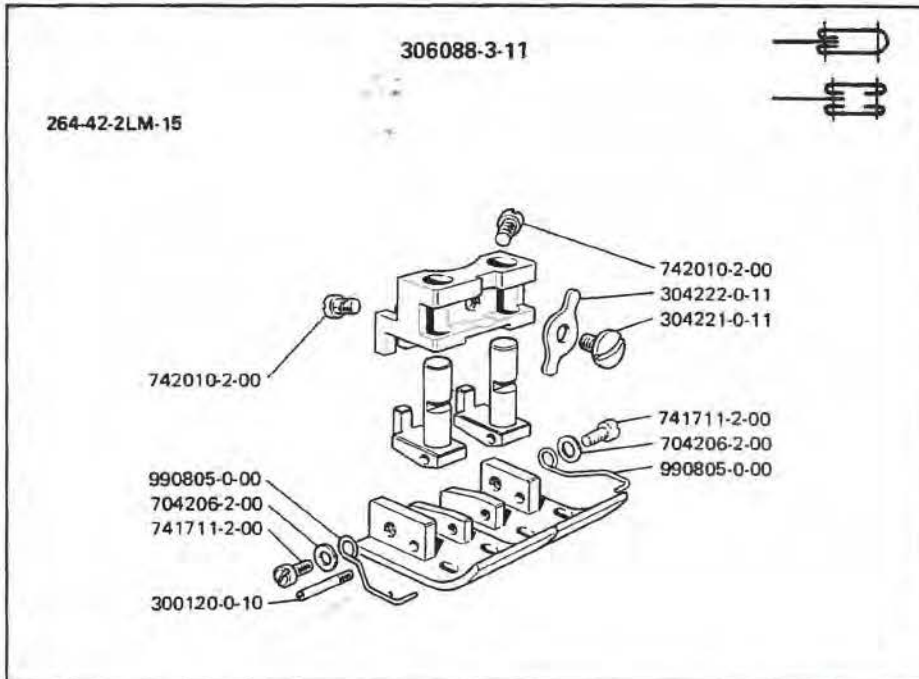
ORGANI DI CUCITURA			SEWING PARTS			ORGANES DE COUTURE							
R = A RICHIESTA			ON REQUEST			SUR DEMANDE							
TESTA HEAD TETE	Placca ago Needle plate Plaque a aiguille	Griffa Feed dog Griffe			Piedino Presser foot Pied presseur	Crochet ant. Front looper Crochet avant.	Crochet post. Rear looper Crochet arriere	Guida e supp. Guide and supp. Guide et supp.	Frenaggio Brake Freinage	Porta rotolo Roll. carrier Porte rouleau	Misuratore Measurer Regle		
264-42-4LM-18	307440-0-00	307441-0-00	2,5		307437-3-01	310466-0-02	310465-0-02	309909-5-01 309922-5-00 310314-5-00 310318-5-00 310325-5-00 310327-5-00 311761-5-00 311763-5-00 311765-5-00	R R R R R R R R	930276-4-01	R R R	991236-4-00 991580-4-00	R R
264-42-4LM 24	312291-0-00 312297-0-00	312296-0-00	2,5		312294-3-00	310464-0-02	310465-0-02	309907-5-01 309914-5-01 309921-5-00 310312-5-00 310322-5-00	R R R R R	930276-4-01	R	991236-4-00 991580-4-00	R R

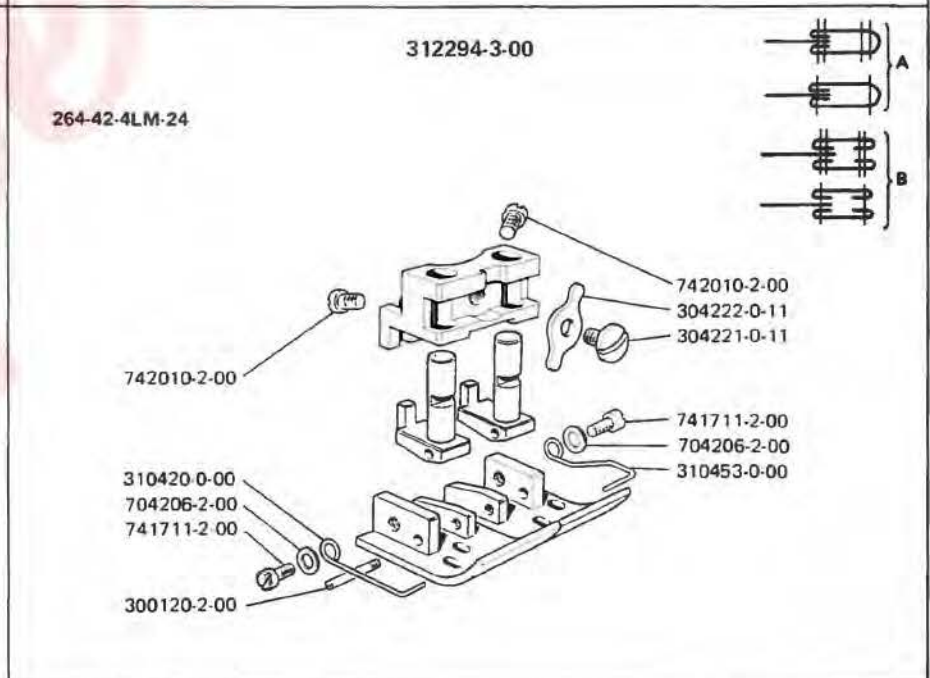
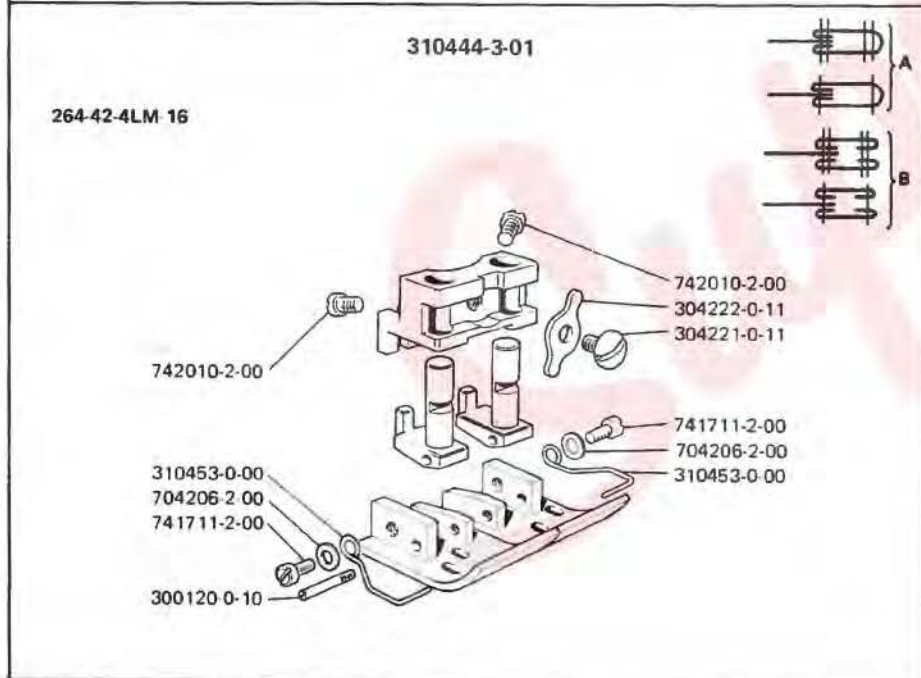
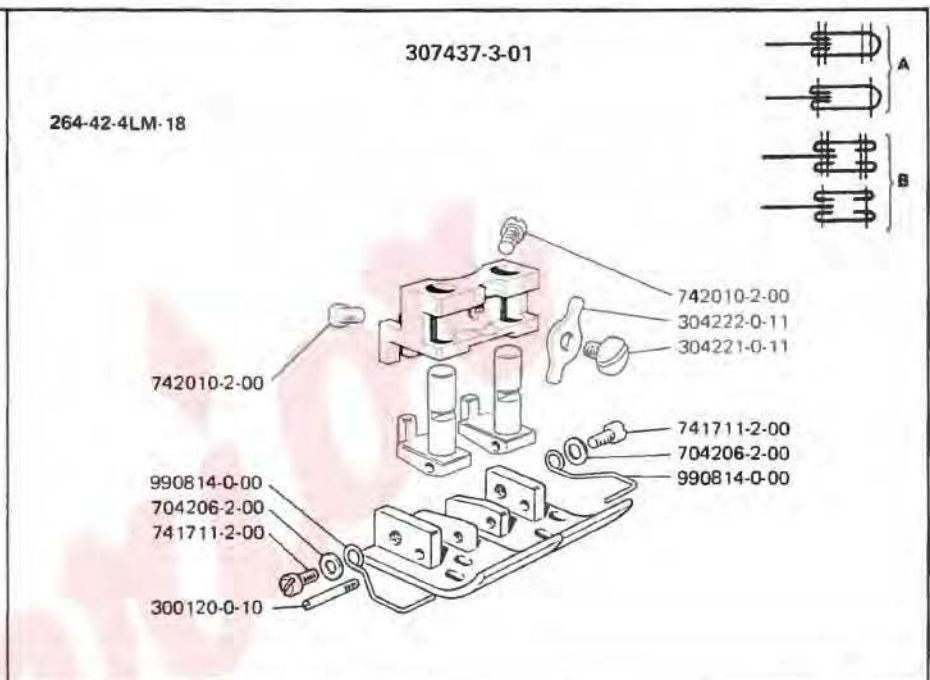
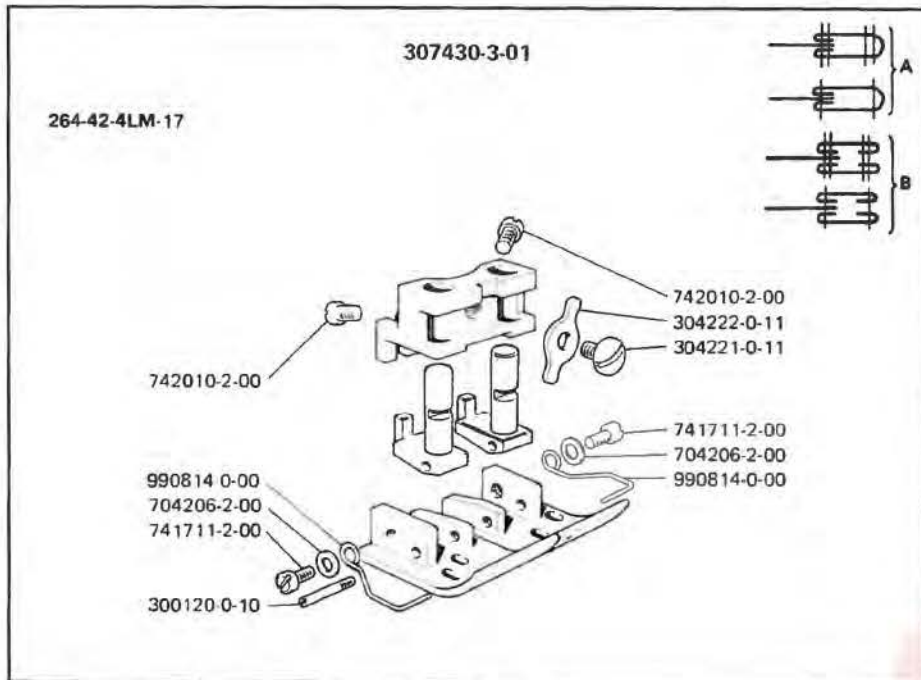
 <p>744730-2-00</p>	<p>305814-0-01</p> <p>264-42-2LM-13</p>  <p>28,5</p>	<p>305828-0-01</p> <p>264-42-2LM-15</p>  <p>33</p>
<p>305925-0-00</p> <p>264-38-2LM-03 264-42-2LM-13</p>  <p>28,5</p>	<p>305928-0-00</p> <p>264-38-2LM-02 264-42-2LM-15</p>  <p>33</p>	<p>307433-0-00</p> <p>264-42-4LM-17</p>  <p>44,5</p>
<p>307440-0-00</p> <p>264-42-4LM-18</p>  <p>47,6</p>	<p>310445-0-01</p> <p>264-42-4LM-16</p>  <p>38,2</p>	<p>310600-0-00</p> <p>264-42-4LM-16</p>  <p>38,2</p>
<p>312291-0-00</p> <p>264-42-4LM-24</p>  <p>31,8</p>	<p>312297-0-00</p> <p>264-42-4LM-24</p>  <p>31,8</p>	

<p>264-38-2LM-02 264-38-2LM-03 264-42-2LM-13 264-42-2LM-15</p> <p>305763-0-01</p> 	<p>264-42-4LM-16 264-42-4LM-17 264-42-4LM-18</p> <p>310465-0-02</p> <p>310466-0-00</p> 	<p>264-42-4LM-24</p> <p>310465-0-02</p> <p>310464-0-02</p> 
---	---	--

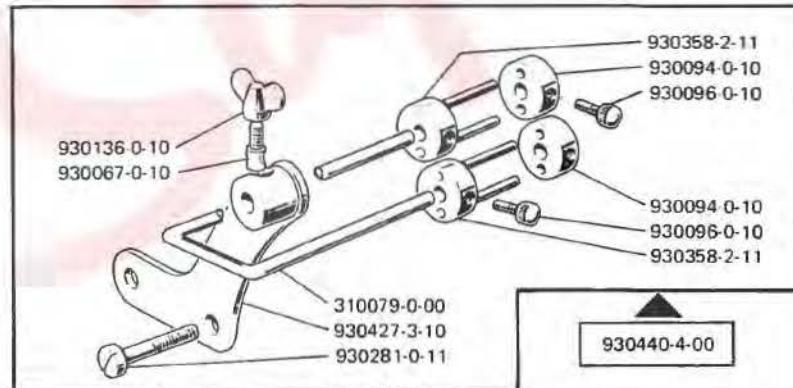
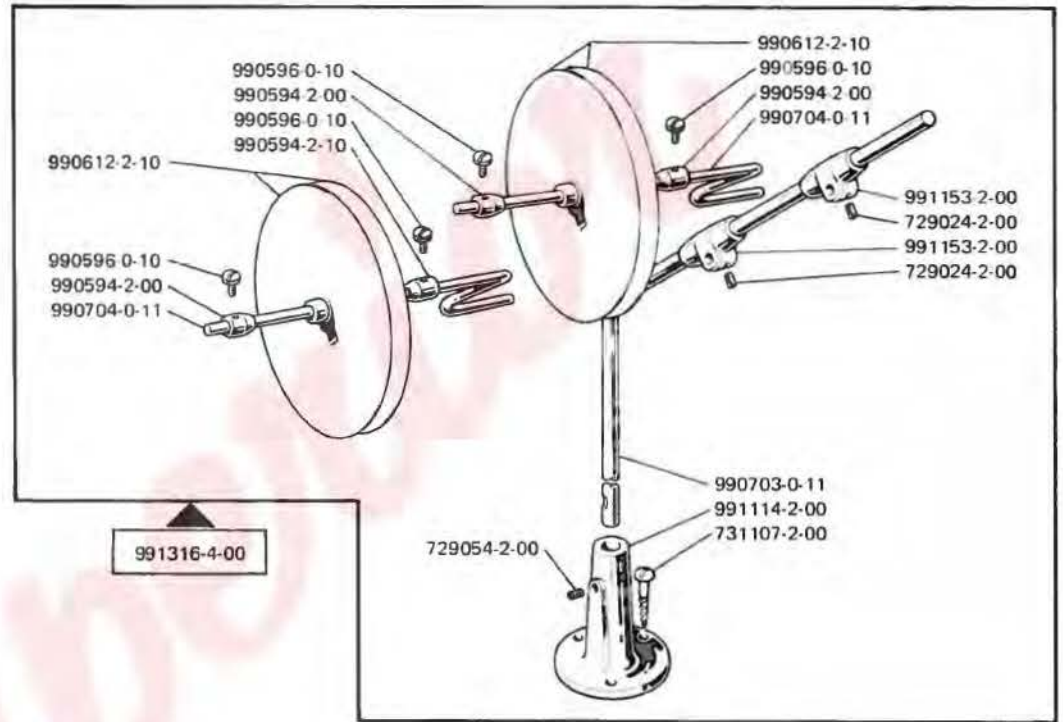
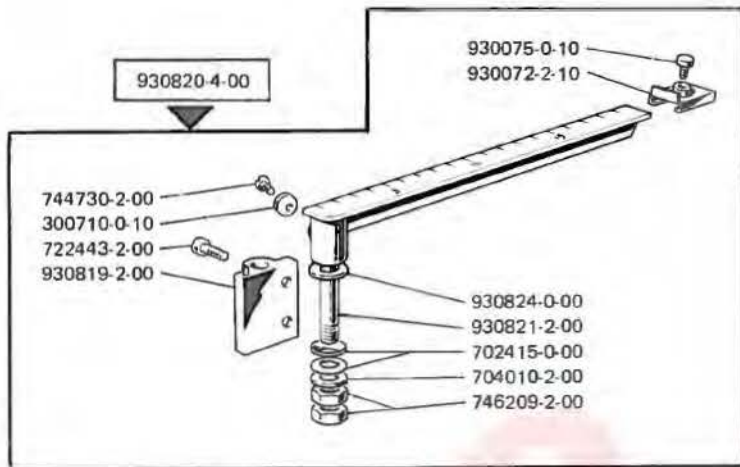
GRIFFA - FEED-DOG - GRIFFE

<p>704406-0-00 304684-0-10</p>  	<p>264-38-2LM-03 264-42-2LM-13</p> <p>305815-0-00</p>  <p>2,5</p> 	<p>264-38-2LM-02 264-42-2LM-15</p> <p>305829-0-00</p>  <p>2,5</p> 																
<p>264-42-4LM-17</p> <p>307434-0-00</p>  <p>2,5</p> 	<p>264-42-4LM-18</p> <p>307441-0-00</p>  <p>2,5</p> 	<table border="1"> <thead> <tr> <th colspan="4">AGO - NEEDLE - AIGUILLE</th> </tr> <tr> <th>SIMBOLO SYMBOL SYMBOLE</th> <th>UY GAS</th> <th>FIN. SIZE GAUGE</th> <th>TESTA HEAD TETE</th> </tr> </thead> <tbody> <tr> <td>960460-1-80</td> <td>128</td> <td>80</td> <td>264-38-2LM-02 264-38-2LM-03</td> </tr> <tr> <td>960460-1-12</td> <td>128</td> <td>120</td> <td>264-42-2LM-13 264-42-2LM-15 264-42-4LM-16 264-42-4LM-17 264-42-4LM-18 264-42-4LM-24</td> </tr> </tbody> </table>	AGO - NEEDLE - AIGUILLE				SIMBOLO SYMBOL SYMBOLE	UY GAS	FIN. SIZE GAUGE	TESTA HEAD TETE	960460-1-80	128	80	264-38-2LM-02 264-38-2LM-03	960460-1-12	128	120	264-42-2LM-13 264-42-2LM-15 264-42-4LM-16 264-42-4LM-17 264-42-4LM-18 264-42-4LM-24
AGO - NEEDLE - AIGUILLE																		
SIMBOLO SYMBOL SYMBOLE	UY GAS		FIN. SIZE GAUGE	TESTA HEAD TETE														
960460-1-80	128	80	264-38-2LM-02 264-38-2LM-03															
960460-1-12	128	120	264-42-2LM-13 264-42-2LM-15 264-42-4LM-16 264-42-4LM-17 264-42-4LM-18 264-42-4LM-24															
<p>264-42-4LM-16</p> <p>310467-0-00</p>  <p>2,5</p> 	<p>264-42-4LM-24</p> <p>312296-0-00</p>  <p>2,5</p> 																	





264-38-2LM 02  
264-38-2LM-03

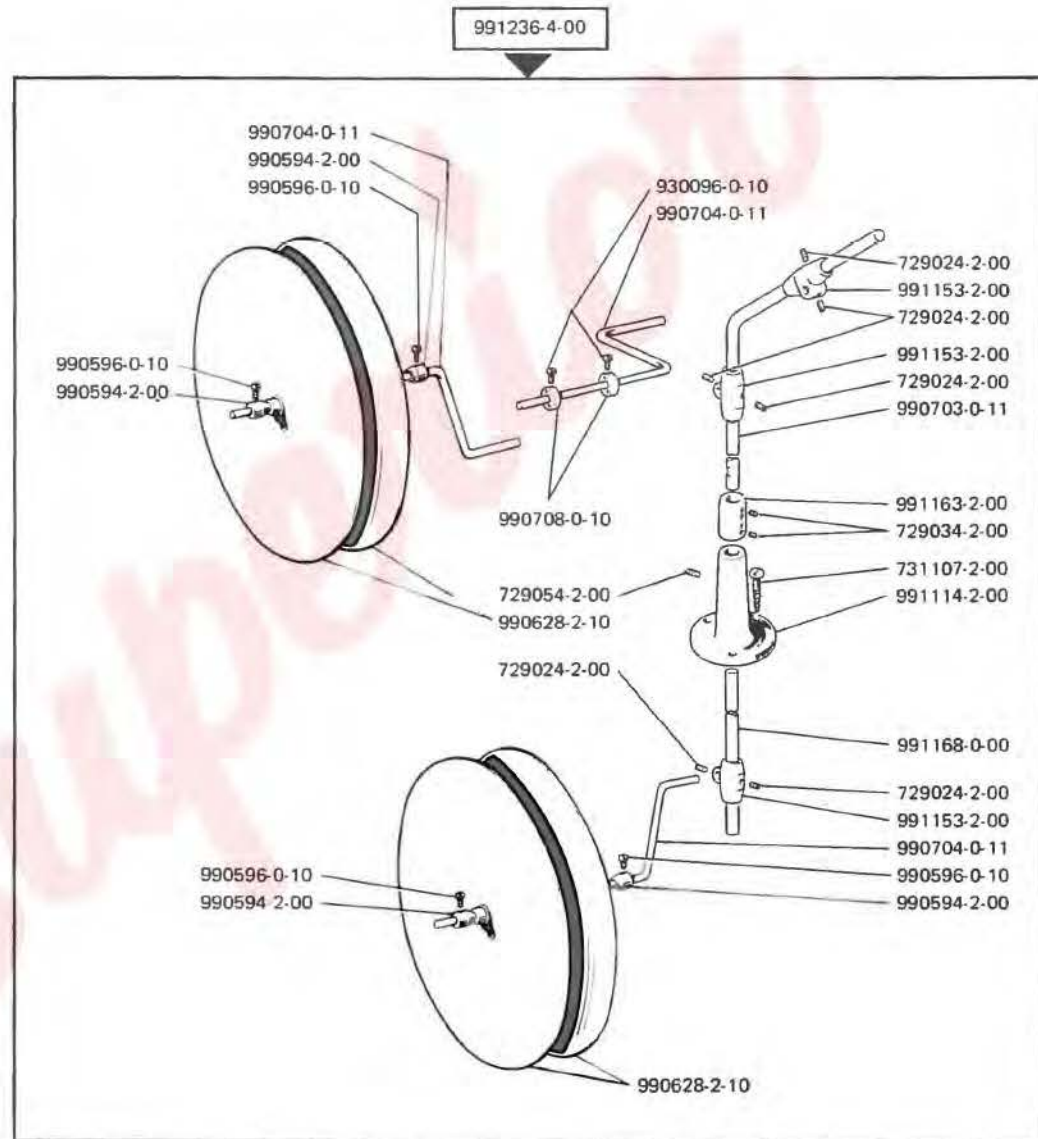




PER GUIDE FRONTALI  
FOR FRONT FOLDER  
POUR GUIDE FRONTAL

- 264-42-2LM-13
- 264-42-2LM-15
- 264-42-4LM-16
- 264-42-4LM-17
- 264-42-4LM-18
- 264-42-4LM-24

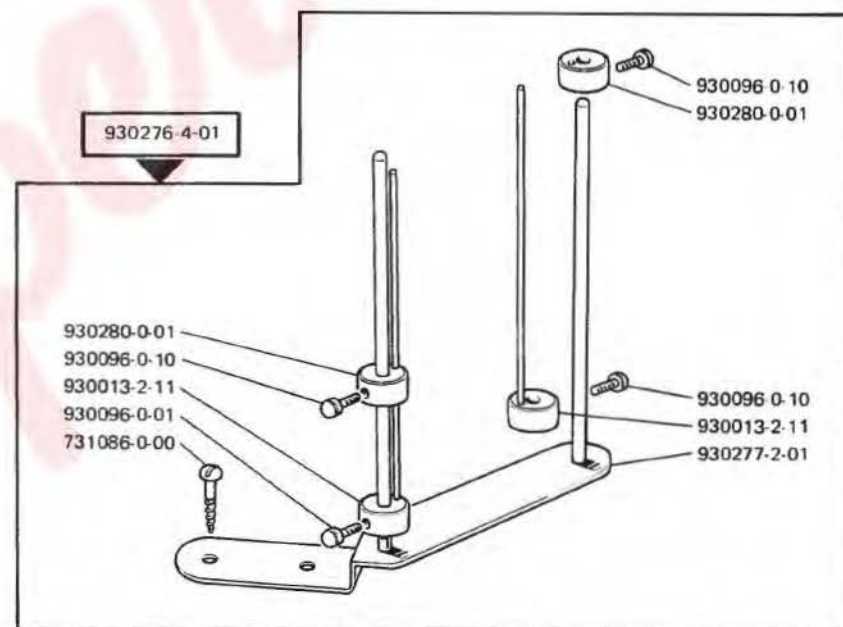
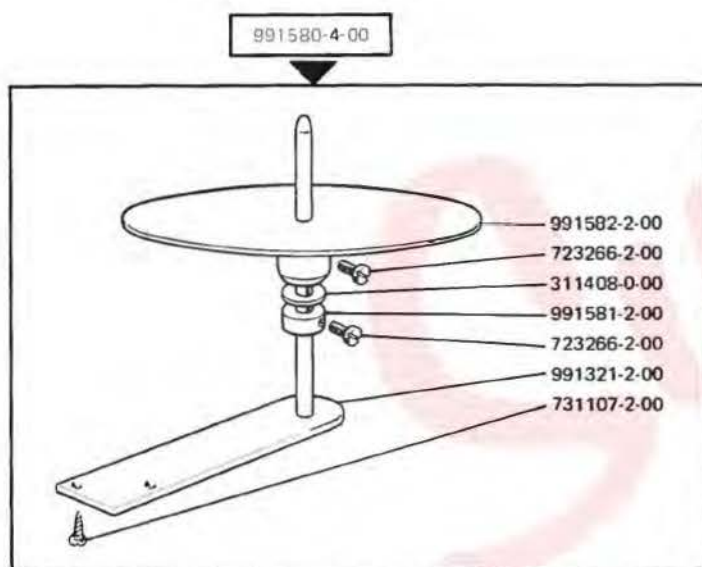
SOLO A RICHIESTA  
ONLY ON REQUEST  
SEULEMENT SUR DEMANDE



SOLO A RICHIESTA  
ONLY ON REQUEST  
SEULEMENT SUR DEMANDE

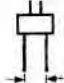


264-42-2LM-13  
264-42-2LM-15  
264-42-4LM-16  
264-42-4LM-17  
264-42-4LM-18  
264-42-4LM-24

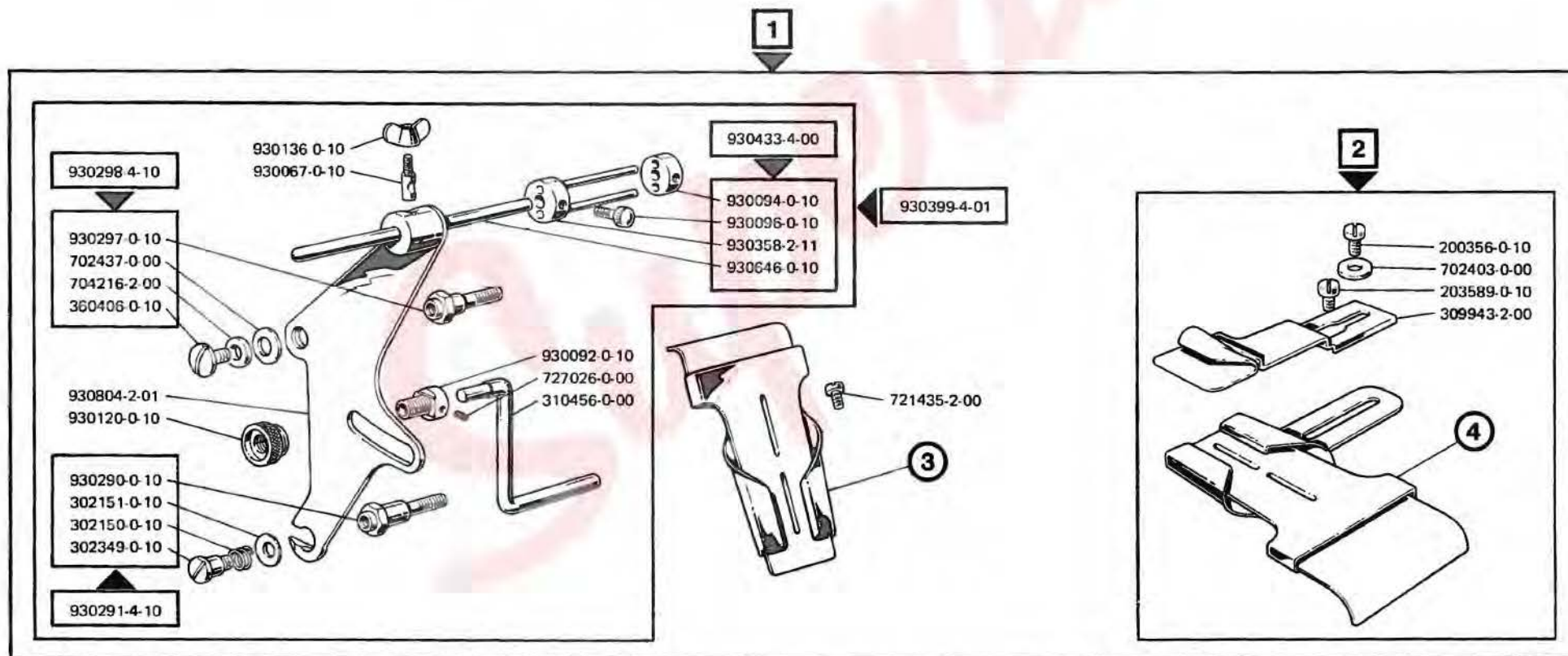
PER GUIDE LATERALI  
FOR RIGHT ANGLE FOLDER  
POUR GUIDE LATERAL

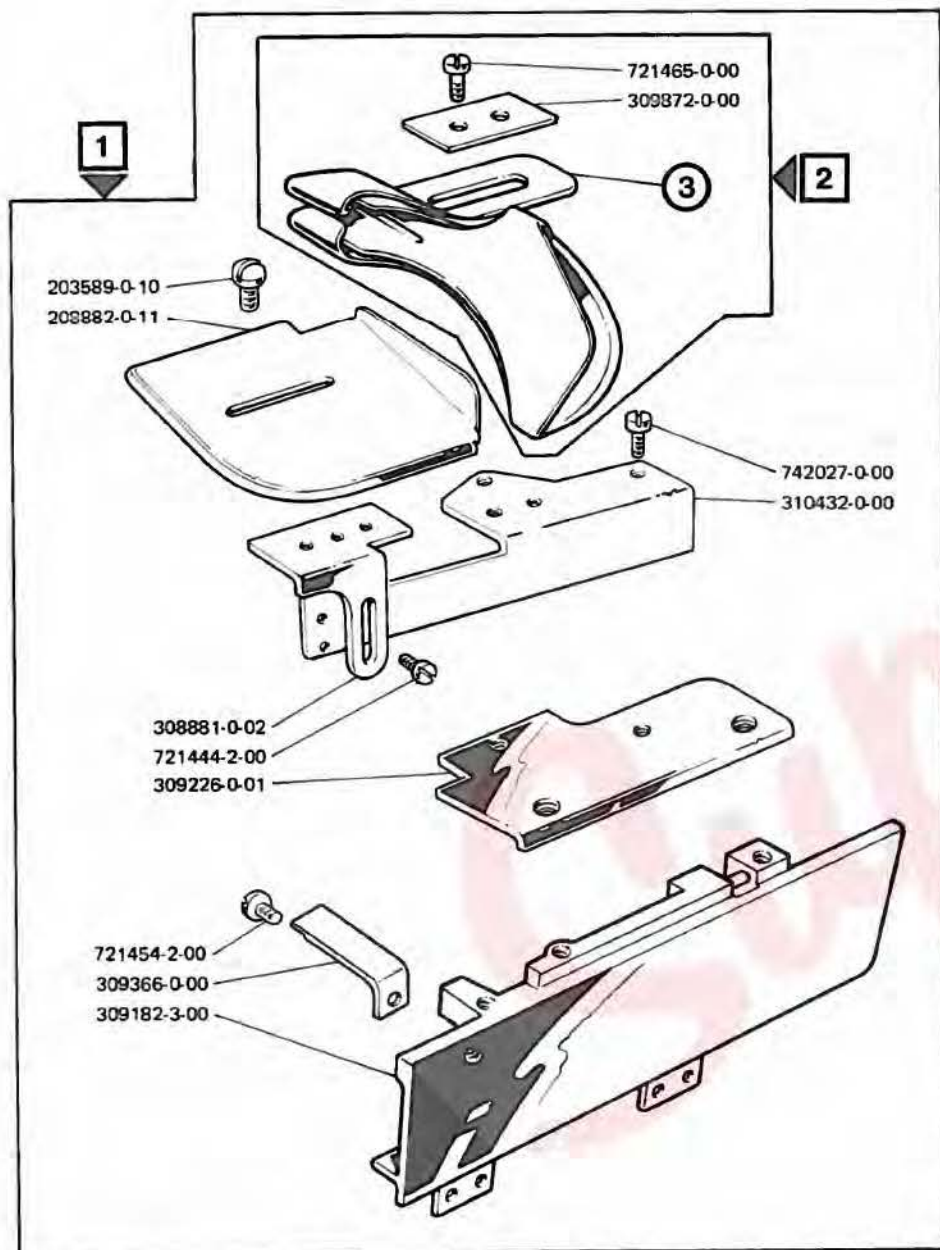


SOLO A RICHIESTA  
ONLY ON REQUEST  
SEULEMENT SUR DEMANDE

GUIDE PER CINTURE IN DUE PEZZI  
TWO PIECE WAISTBAND FOLDERS  
GUIDES POUR CEINTURES EN DEUX PIÈCES

	1	2	3	4			
264-42-2LM-13	309920-5-00	309963-4-00	309929-2-00	309948-2-00	28,5	33	55
264-42-2LM-15	309922-5-00	309969-4-00	309935-2-00	309954-2-00	33 34,8	39	62
264-42-4LM-16	309919-5-00	309960-4-00	309926-2-00	309945-2-00	25,4	30	52
	309921-5-00 309923-5-00	309966-4-00 309972-4-00	309932-2-00 309938-2-00	309951-2-00 309957-2-00	31,8 38,2	36 43	58 65
264-42-4LM-17	309919-5-00	309960-4-00	309926-2-00	309945-2-00	25,4	30	52
	309923-5-00	309972-4-00	309938-2-00	309957-2-00	38,2	43	65
264-42-4LM-18	309922-5-00	309969-4-00	309935-2-00	309954-2-00	33	39	62
					34,8		
264-42-4LM-24	309921-5-00	309966-4-00	309932-2-00	309951-2-00	31,8	36	58





	1	2	3			
264-42-2LM-13	310311-5-00	309986-4-00	309977-2-00	28,5	33	88
264-42-2LM-15	310313-5-00	309988-4-00	309979-2-00	33	39	100
264-42-4LM-16	310310-5-00	309985-4-00	309976-2-00	25,4	30	82
	310312-5-00	309987-4-00	309978-2-00	31,8	36	94
	310314-5-00	309989-4-00	309980-2-00	38,2	43	106
264-42-4LM-17	310312-5-00	309987-4-00	309978-2-00	31,8	36	94
	310314-5-00	309989-4-00	309980-2-00	38,2	43	106
264-42-4LM-18	310314-5-00	309989-4-00	309980-2-00	38,2	43	106
264-42-4LM-24	310312-5-00	309987-4-00	309978-2-00	31,8	36	94

SOLO A RICHIESTA  
 ONLY ON REQUEST  
 SEULEMENT SUR DEMANDE

GUIDA FRONTALE PER CINTURE  
 FRONT WAISTBAND FOLDER  
 GUIDE FRONTAL POUR CEINTURES

SOLO A RICHIESTA  
 ONLY ON REQUEST  
 SEULEMENT SUR DEMANDE

GUIDA FRONTALE PER CINTURE  
 FRONT WAISTBAND FOLDER  
 GUIDE FRONTAL POUR CEINTURES

203589-0-10  
 308882-0-11

2

3

721465-0-00  
 309872-0-00

1

742039-2-00  
 308873-0-00  
 308881-0-02

742027-0-00  
 308870-0-00

700010-0-00  
 704240-2-00  
 920209-0-00

742222-2-00  
 729024-2-00  
 920215-0-00

729024-2-00  
 920208-0-00

308878-4-00

990310-0-10  
 746402-2-00  
 308877-0-00

202062-2-10  
 745800-2-00

308884-4-02

721444-2-00  
 308872-0-00  
 308871-2-00

700205-0-00

308876-0-00  
 308875-0-00  
 743543-0-00

302059-0-10  
 745800-2-00  
 202062-2-10  
 990311-0-10

740035-0-00  
 991276-0-01  
 920105-0-10  
 920113-0-10

309266-0-01

721454-2-00  
 309366-0-00  
 309182-3-00

1


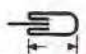

2

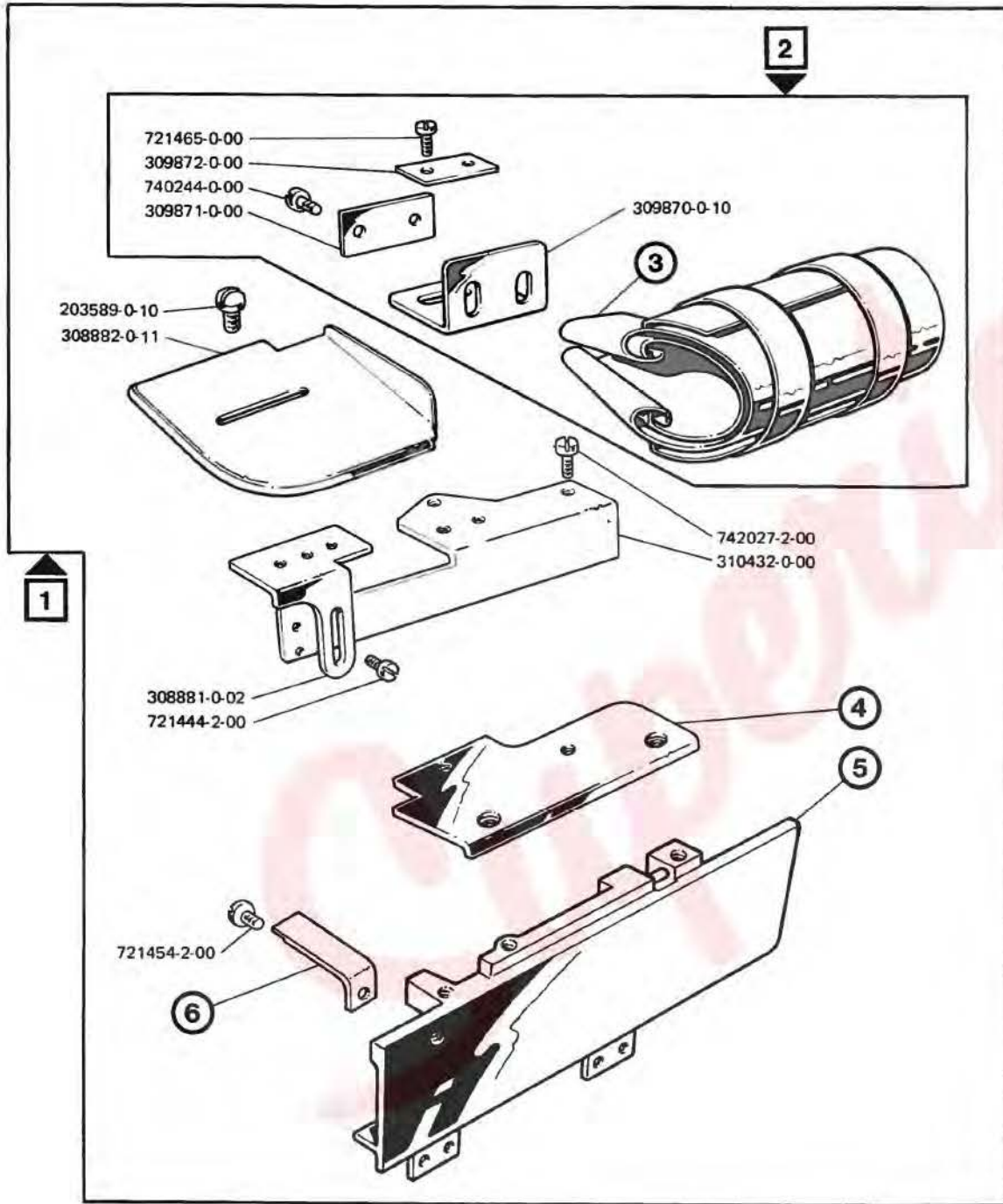
3



264-42-2LM-13	309906-5-01	309986-4-00	309977-2-00	28,5	33	88
264-42-2LM-15	309908-5-01	309988-4-00	309979-2-00	33	39	100
264-42-4LM-16	309905-5-01	309985-4-00	309976-2-00	25,4	30	82
	309907-5-01	309987-4-00	309978-2-00	31,8	36	94
264-42-4LM-17	309909-5-01	309989-4-00	309980-2-00	38,2	43	106
	309907-5-01	309987-4-00	309978-2-00	31,8	36	94
264-42-4LM-18	309909-5-01	309989-4-00	309980-2-00	38,2	43	106
	309909-5-01	309989-4-00	309980-2-00	38,2	43	106
264-42-4LM-24	309907-5-01	309987-4-00	309978-2-00	31,8	36	94

TAV. 31




	1	2	3	4	5	6			
264-42-2LM-13	310321-5-00	309891-4-01	309876-2-10	309266-0-01	309182-3-00	309366-0-00	28,5	33	88
264-42-2LM-15	310323-5-00	309897-4-01	309882-2-10	309266-0-01	309182-3-00	309366-0-00	33	39	100
264-42-4LM-16	310320-5-00	309888-4-02	309873-2-10	309266-0-01	309182-3-00	309366-0-00	25,4	30	82
	310322-5-00	309894-4-01	309879-2-10	309266-0-01	309182-3-00	309366-0-00	31,8	36	94
	310324-5-00	309900-4-01	309885-2-10	309266-0-01	309182-3-00	309366-0-00	38,1	43	106
264-42-4LM-17	310317-5-00	309894-4-01	309879-2-10	309294-0-00	309176-3-00	309344-0-00	31,8	36	94
	310319-5-00	309900-4-01	309885-2-10	309294-0-00	309176-3-00	309344-0-00	38,1	43	106
	310326-5-00	309892-4-00	309877-2-00	309294-0-00	309176-3-00	309344-0-00	44,5	49	118
264-42-4LM-18	310318-5-00	309897-4-01	309882-2-10	309294-0-00	309176-3-00	309344-0-00	33	39	100
	310325-5-00	309889-4-00	309874-2-00	309294-0-00	309176-3-00	309344-0-00	41,2	46	112
	310327-5-00	309895-4-00	309880-2-00	309294-0-00	309176-3-00	309344-0-00	47,6	52	124
264-42-4LM-24	310322-5-00	309894-4-01	309879-2-10	309266-0-01	309182-3-00	309366-0-00	31,8	36	94



SOLO A RICHIESTA  
ONLY ON REQUEST  
SEULEMENT SUR DEMANDE

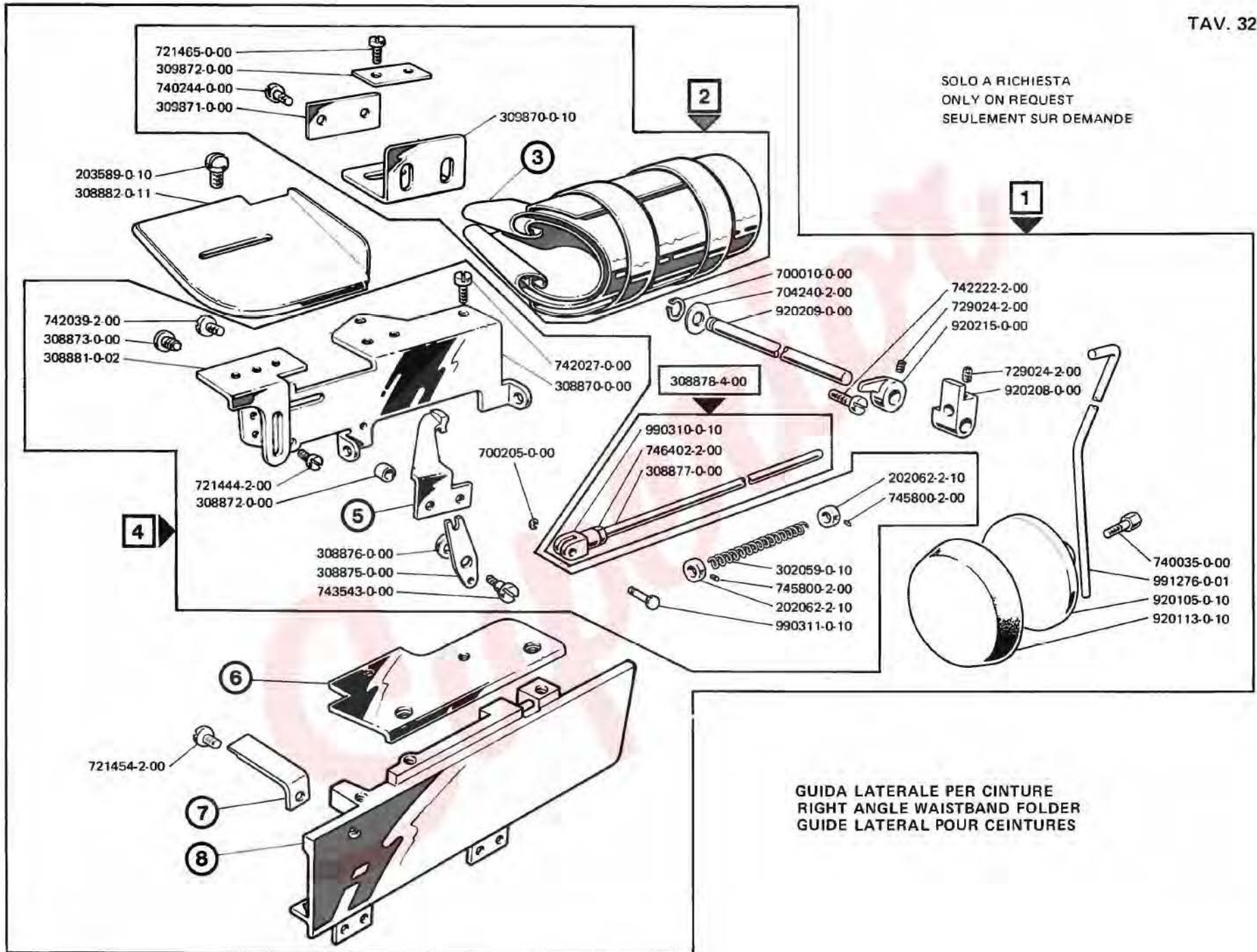
GUIDA LATERALE PER CINTURE  
RIGHT ANGLE WAISTBAND FOLDER  
GUIDE LATERAL POUR CEINTURES

TAV. 32

	1	2	3	4	5	6	7	8			
264-42-2LM-13	309913-5-01	309891-4-01	309876-2-10	308884-4-02	308871-2-00	309266-0-01	309366-0-00	309182-3-00	28,5	33	88
264-42-2LM-15	309915-5-01	309897-4-01	309882-2-10	308884-4-02	308871-2-00	309266-0-01	309366-0-00	309182-3-00	33	39	100
264-42-4LM-16	309912-5-01	309888-4-01	309873-2-10	308884-4-02	308871-2-00	309266-0-01	309366-0-00	309182-3-00	25,4	30	82
	309914-5-01	309894-4-01	309879-2-10	308884-4-02	308871-2-00	309266-0-01	309366-0-00	309182-3-00	31,8	36	94
264-42-4LM-17	309916-5-01	309900-4-01	309885-2-10	308884-4-02	308871-2-00	309266-0-01	309366-0-00	309182-3-00	38,1	43	106
	311762-5-00	309892-4-00	309877-2-00	308884-4-02	308871-2-00	309294-0-00	309344-0-00	309176-3-00	44,5	49	118
	311764-5-00	309894-4-01	309879-2-10	308884-4-02	308871-2-00	309294-0-00	309344-0-00	309176-3-00	31,8	36	94
264-42-4LM-18	311766-5-00	309900-4-01	309885-2-10	308884-4-02	308871-2-00	309294-0-00	309344-0-00	309176-3-00	38,1	43	106
	311761-5-00	309889-4-00	309874-2-00	308884-4-02	308871-2-00	309294-0-00	309344-0-00	309176-3-00	41,2	46	112
	311763-5-00	309895-4-00	309880-2-00	314274-4-00	314275-2-00	309294-0-00	309344-0-00	309176-3-00	47,6	52	124
264-42-4LM-24	311765-5-00	309897-4-01	309882-2-10	308884-4-02	308871-2-00	309294-0-00	309344-0-00	309176-3-00	33	39	100
	309914-5-01	309894-4-01	309879-2-10	308884-4-02	308871-2-00	309266-0-01	309366-0-00	309182-3-00	31,8	36	94



SOLO A RICHIESTA  
ONLY ON REQUEST  
SEULEMENT SUR DEMANDE



GUIDA LATERALE PER CINTURE  
RIGHT ANGLE WAISTBAND FOLDER  
GUIDE LATERAL POUR CEINTURES